

System Components and Parts

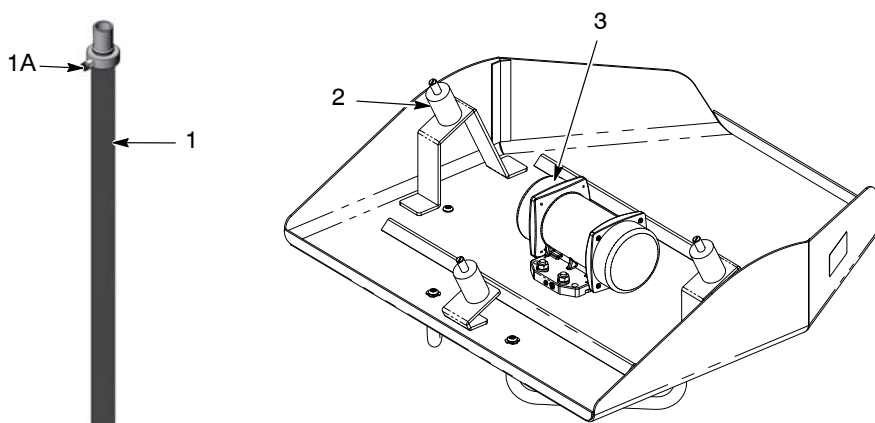


Figure 7-13 Miscellaneous System Parts

Item	Part	Description	Quantity	Note
1	1097809	TUBE, fluid, pickup, w/cond. fitting, VBF, Encore	1	
1A	1096788	• CONN, 6mm tube x R 1/8, dia 0.7mm orifice	1	D
2	1084760	ISOLATOR, vibration, 1.0 dia x 1.5 x 5/16 studs	3	A
3	1604512	VIBRATOR, electric, 115V, 60 Hz, w/cord grip	1	A
3	1108091	VIBRATOR, electric, 230V, 50 Hz, w/cord grip	1	A
NS	1107552	CONTROLLER, manual, Encore LT, packaged	1	
NS	1095922	PUMP assembly, corona, Encore Gen II	1	
NS	1106893	HANDGUN ASSY, Encore LT	1	
NS	1107949	HOPPER, NHR Encore, 50-lb	1	B
NS	972841	CONN, male, 10 mm tubing x 1/4 unithread	1	
NS	1093708	GROMMET, 0.719 ID x 1.281 OD x 0.093 GR	1	
NS	134575	WIRE, ground (with ground clamp)	1	
NS	1107895	KIT, VBF pickup tube arm assembly, Encore LT	1	A
NS	1107903	• KIT, pickup tube collar, Encore LT	1	A
NS	1107913	KIT, rail mount, Encore LT	1	
NS	1600437	KIT, wall mount, Encore LT		
NS	1067694	KIT, ground bus bar, ESD, 6 position, w/hardware	1	C
NS	1085679	KIT, pump adapter, hopper, Encore	1	C
NS	1082204	COUPLING, pump, Encore	1	C
NS	972262	REDUCER, 10 mm stem x 6 mm tubing	1	F
NS	1600658	HANGER, gun, Encore LT	1	
NS	1600566	KIT, filter, Encore LT	1	E
NS	1600608	• FILTER, mist separator, 0.3 micron, 1/2 in. NPT	1	E
NS	1600609	• • FILTER ELEMENT, separator, 0.3 micron	1	
NS	1604487	VALVE, flow control, 4-mm tube x 4-mm tube	1	G

NOTE A: VBF systems only. Order the correct vibrator motor for your VBF system.
 B: Hopper systems only. Hopper includes pickup tube.
 C: Included with both wall- and rail-mount systems.
 D: Conductive fitting. Do not replace with a non-conductive fitting.
 E: Filter kit includes fittings and mounting bracket. Order filter only to replace mobile system filter.
 F: Install in hopper plenum elbow.
 G: Connect to air wash connector on controller rear panel to control air flow.

NS: Not Shown

Powder Hose and Air Tubing

Powder hose and air tubing must be ordered in increments of one foot.

Part	Description	Note
768176	Powder hose, 11 mm antistatic	A, E
768178	Powder hose, 12.7 mm (1/2 in.) antistatic	A, E
900648	Powder hose, 11 mm blue	D
900650	Powder hose, 12.7 mm (1/2 in.) blue	D
900617	Air tubing, polyurethane, 4 mm, clear	B
900742	Air tubing, polyurethane, 6 mm, blue	B
1096789	Air tubing, antistatic, 6/4 mm, black (conductive air tubing)	C
900741	Air tubing, polyurethane, 6 mm, black	
900618	Air tubing, polyurethane, 8 mm, blue	B
900619	Air tubing, polyurethane, 8 mm, black	B
900740	Air tubing, polyurethane, 10 mm, blue	B
900517	Tubing, poly, spiral cut, 0.62 in. ID	
301841	Strap, Velcro, w/buckle, 25 x 3 cm	

NOTE A: Twenty feet of 11-mm antistatic hose is provided with the systems. If you need to use a longer length, you must switch to the 1/2 inch hose to prevent powder delivery issues.

B: Minimum order quantity is 50 ft.

C: This tubing is used on VBF systems to provide fluidizing air from the bulkhead union to the pickup tube. It is conductive and grounds the pickup tube to the cart body. Do not replace with non-conductive tubing.

D: Minimum order quantity is 25 ft.

E: Minimum order quantity is 100 ft.

System Options

Part	Description	Quantity	Note
1091429	KIT, input air, Encore manual systems	1	
972841	• CONNECTOR, male, 10 mm tube x 1/4 in. unithread	1	
971102	• CONNECTOR, male, 10 mm tube x 3/8 in. unithread	1	
973500	• COUPLING, pipe, hydraulic, 1/4 in., steel, zinc	1	
973520	• COUPLING, pipe, hydraulic, 3/8 in., steel, zinc	1	
900740	• TUBING, polyurethane, 10 mm, blue	20 ft	A
1086131	BRACKET, adapter, dual pickup tube	1	B
1600188	KIT, small parts tray	1	C

NOTE A: Replacement tubing has a minimum order quantity of 50 ft.

B: Use this bracket to install two pickup tubes on the arm assembly.

C: For mobile systems only. To install the tray, remove the 2 top screws from the controller tower, install the #10 dished lock washer in the kit on one screw, then use the screws to install the tray.