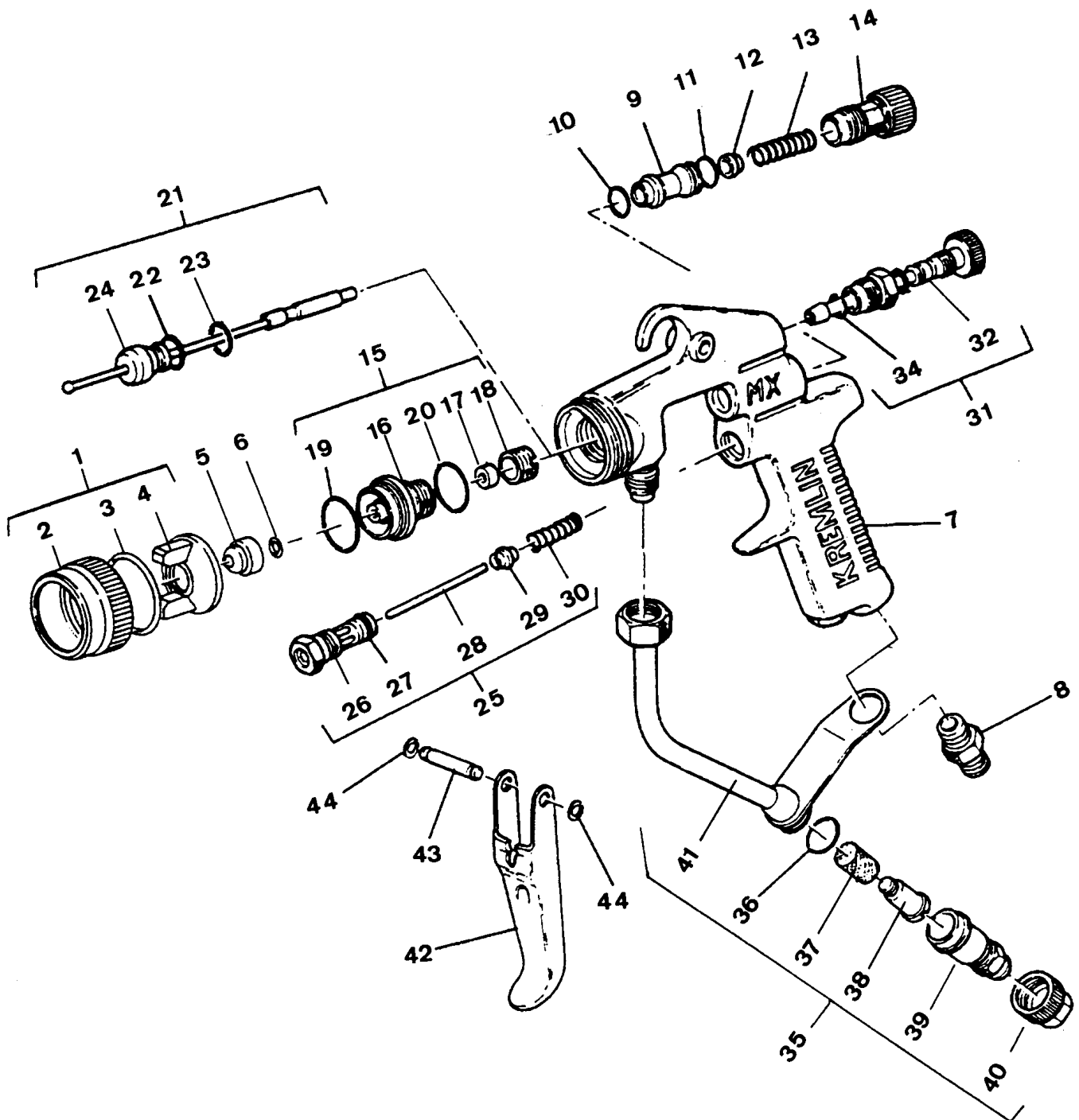




**MX SPRAY GUN with air connector 14 x 125 Male P.N° 129.650.000**

**MX SPRAY GUN with air connector 1/4 NPS Male P.N° 129.650.100**



## Parts identification list - AIRMIX® SPRAY GUN Model MX

Index	Part number	Description	Qty
<b>1</b>	<b>See Accessories</b>	<b>Air cap assembly</b>	<b>1</b>
2	032.020.001	• Retaining ring	1
* 3	b 150.040.309	• Seal, retaining ring (pack of 10)	1
4	N S S	• Air cap (procure higher assembly - ind. 1)	1
<b>5</b>	<b>See Accessories</b>	<b>Tip</b>	<b>1</b>
* 6	129.609.901	Microfilter (pack of 10) → See Accessories	1
	129.529.903	or tip seal (pack of 10) → See Accessories	1
7	129.650.040	Gun body, stainless steel	1
8	050.102.446	Connector, air inlet, 14 x 125 (M)	1
	050.102.624	Connector, air inlet, 1/4 NPS (M)	1
9	029.650.001	Sleeve, fluid needle stop	1
* 10	b 129.029.903	Seal, sleeve (pack of 10)	1
11	b 144.579.923	Ring, R8 bis (pack of 10)	1
12	029.620.021	Spring support	1
13	050.312.221	Spring, fluid needle stop	1
14	129.650.010	Fluid needle stop	1
* <b>15</b>	<b>129.622.100</b>	<b>Seat-holder assembly</b>	<b>1</b>
16	029.620.501	• Seat-holder	1
* 17	129.609.911	• Seat, acetal resin (pack of 10)	1
18	029.600.106	• Screw	1
* 19	b 129.609.902	• Seal, seat-holder (pack of 10)	1
* 20	b 129.629.914	• O-Ring (pack of 10)	1
* <b>21</b>	<b>129.620.900</b>	<b>Cartridge assembly</b>	<b>1</b>
22	b 129.971.002	Seal, cartridge, R5A (pack of 10)	1
23	b 102.201.914	Ring, n° 10 (pack of 10)	1
24	N S S	Cartridge (procure higher assembly - ind. 21)	1
* <b>25</b>	<b>129.650.050</b>	<b>Air valve assembly</b>	<b>1</b>
26	N S S	• Seat, air valve (procure higher assembly - ind. 25)	1
27	b 129.529.906	• Seal, valve (pack of 10)	1
28	029.650.051	• Rod, valve	1
29	b 129.739.910	• Valve (pack of 10)	1
30	050.311.221	• Spring, valve	1
* <b>31</b>	<b>029.020.030</b>	<b>Air adjuster assembly</b>	<b>1</b>
32	N S S	• Needle	1
34	b 902.202.102	• Ring	1
* <b>35</b>	<b>029.650.030</b>	<b>Fluid protective tube with filter</b>	<b>1</b>
* 36	b 129.529.918	• Seal (pack of 10)	1
* 37	129.609.908	• Screen, N° 6 (pack of 5)	1
38	029.520.310	• Support, screen	1
39	029.520.372	• Filter body	1
40	029.520.306	• Knurled nut	1
41	N S S	• Protective tube (procure higher assembly - ind. 35)	1
42	029.020.001	Trigger	1
43	129.029.904	Spindle, trigger (pack of 10)	1
44	102.202.101	Retaining ring, trigger (pack of 10)	2
<b>a</b>	<b>129.659.902</b>	<b>Air kit</b>	<b>1</b>
<b>b</b>	<b>129.659.901</b>	<b>Package of seals (x 3)</b>	<b>1</b>

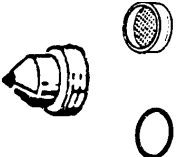
\* preceding the index number denotes a suggested spare part.  
N S S denotes parts are not serviceable separately.

# AIRMIX® ACCESSORIES

AIR CAP FOR MX SPRAY GUN (ind. 1)		
Type	Part number	Use
BX 16	132.620.026	For adjustable pattern width - Adjustable flow rate For permanent pattern width For permanent pattern width - (anti-adhérent treatment). For adjustable pattern width.
BX 36	132.650.200	
BX 56	132.650.300	
BX 86	132.650.100	

TIP CHART (ind. 5)																	
Size	Water output en l/mn		Equiv. Ø mm	Mesh number		Spray fan width at 25 cm	Mini	7	10	13	17	21	25	29	33	38	
	35 bar	70 bar		Gun filter	Pump filter		Maxi	9	12	17	21	25	29	33	37	44	
02						Number engraved on the tip	02/036	02/056									
03	0,10	0,15	0,18	4	2		03/036	03/056	03/076								
04	0,15	0,22	0,23	4	2 ou 4		04/036	04/056	04/076	04/096	04/116						
06	0,20	0,33	0,28	4	4 ou 6		06/036	06/056	06/076	06/096	06/116	06/136	06/156				
09	0,30	0,45	0,33	6	6 ou 8		09/036	09/056	09/076	09/096	09/116	09/136	09/156				
12	0,35	0,60	0,38	6	8 ou 12				12/076	12/096	12/116	12/136	12/156	12/176			
14	0,40	0,72	0,41	12	8 ou 12		14/036	14/056	14/076	14/096	14/116	14/136	14/156	14/176			
18	0,45	0,85			12							18/136	18/156	18/176			
20	0,50	1,06	0,50	12	12				20/076	20/096	20/116	20/136	20/156	20/176	20/196		
25												25/136					
30	0,75	1,60	0,61						30/076		30/116	30/136	30/156	30/176	30/196		
45	1,15	2,30	0,73		15						45/116		45/156	45/176	45/196		

To obtain tip part number, replace the crosses by the engraved tip number preceded by 134.5XX.XXX  
Example : use part number 134.509.096 to obtain TIP N° 09/096

TIP MICROFILTER AND SEAL (ind. 6)		
Description		Part number (Package of 10)
	MICROFILTER 100 µ size Only for tips size 03, 04 and 06	129.609.901
	PTFE SEAL Only for tip size 09 and above	129.529.903

GUN FILTER (ind. 37)		
Number	Mesh	Part number (Package of 5)
4	99 µ	129.609.907
6	168 µ	129.609.908
12	280 µ	129.609.909

ON REQUEST			
Description	Part number	Description	Part number
Seat (ind. 17) :		Unclogging needles (set of 12) for tips size 03 to 09 for tips size 12 to 30	
with seal, carbide (x 2)	129.659.904		000.094.000
with seal, stainless steel (x 10)	129.629.917		000.094.002
Trigger kit (with straps)	129.651.020		

