

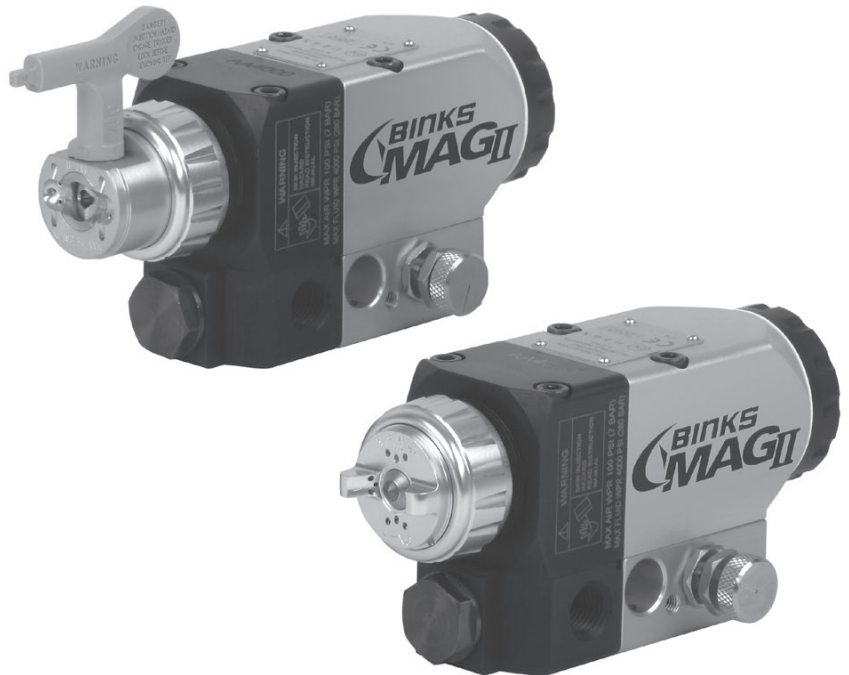


# MAG II AUTOMATIC AIR-ASSISTED AIRLESS HVLP SPRAY GUN (U.V. AND CONVENTIONAL COATINGS)

0511-0HF0, 0511-0HT0, 0511-MHF0, 0511-MHT0

The following instructions provide the necessary information for the proper operation and preventive maintenance of the Binks MAG II Automatic Manifold Mounted Air-Assisted Airless HVLP Spray Gun. Please read and understand all information in this document in order to get the maximum performance from your new MAG II spray gun.

In the MAG II Automatic HVLP spray gun, the paint or other material to be sprayed is atomized; forced through the carbide tip by the typical 1,500-3,800 psi fluid pressure (with capabilities up to 4,000 psi/275 bar). This atomizing, plus the final shaping air supplied by the air cap, produces an exceptionally fine and even spray pattern. The result of this spray pattern is an even finish that lends itself to products that need an exceptionally fine finish with reduced overspray and VOC emissions.



SPECIFICATIONS:	
Max. Air Pressure:	100 psi/6.8 bar
Twist Tip HVLP:	20 psi inlet pressure is 10 psi air cap pressure @ 5 CFM air volume
Flat Tip HVLP:	15 psi inlet pressure is 10 psi air cap pressure @ 8 CFM air volume
Max. Fluid Pressure:	4000 psi/275 bar
Min./Max. Cylinder Actuating Pressure:	50 psi/3.4 bar (min.), 100 psi/6.8 bar (max.)
Gun Body:	Stainless Steel, Aluminum
Fluid Path:	Nituff Coated Aluminum
Fluid Shut Off Type:	Tungsten Carbide Seat
Fluid Inlet and Outlet Size:	1/4" NPT(F) thread
Air Inlet Size:	<b>Atomizing Air:</b> 1/4" NPT(F) manifold body <b>Fan Air:</b> 1/4" NPT(F) manifold body <b>Cylinder Air:</b> 1/8" NPT(F) manifold body
Gun Weight:	1.8 lbs. (.816 kg)
Gun Mounting Hole:	1/2" diameter

## NOTE

Please be sure to read the warnings on page 2.

The MAG II Automatic HVLP spray gun uses high pressure to spray paints and solvents. Since liquids sprayed at high pressure can cause injuries, and some paints and solvents can be toxic or cause explosions and fires under certain conditions, your safety and the safety of others depend on your reading the information on this Part Sheet.

If you have any questions or do not understand the information presented, call your nearest service representative.

Replaces Part Sheet 77-2949R-1	Part Sheet 77-2949R-2
--------------------------------------	-----------------------------

**⚠ WARNING**

IT IS THE RESPONSIBILITY OF THE EMPLOYER TO PROVIDE THIS INFORMATION TO THE OPERATOR OF THE EQUIPMENT.

FOR FURTHER SAFETY INFORMATION REGARDING BINKS AND DEVILBISS EQUIPMENT,  
SEE THE GENERAL EQUIPMENT SAFETY BOOKLET (77-5300).



HIGH PRESSURE CAN CAUSE SERIOUS INJURY  
IF EQUIPMENT IS INSTALLED OR USED  
INCORRECTLY—

**READ, UNDERSTAND, AND OBSERVE  
ALL WARNINGS AND INSTRUCTIONS  
IN THIS MANUAL.**

**OPERATE EQUIPMENT ONLY AFTER ALL  
INSTRUCTIONS ARE CLEARLY UNDERSTOOD.**

In this part sheet, the words **WARNING**, **CAUTION** and **NOTE** are used to emphasize important safety information as follows:

**⚠ WARNING**  
Hazards or unsafe practices which could result in severe personal injury, death or substantial property damage.

**⚠ CAUTION**  
Hazards or unsafe practices which could result in minor personal injury, product or property damage.

**NOTE**  
Important installation, operation or maintenance information.

**INJECTION HAZARD**

Spray from the gun, hose leaks, or ruptured components can inject fluid into your body and cause extremely serious injury, including poisoning or the need for amputation. Splashing fluid in eyes or on skin can also cause a serious injury.

- Fluid injected into the skin might look like just a cut, but is a serious injury and should be treated as such. **GET IMMEDIATE MEDICAL ATTENTION. INFORM THE PHYSICIAN WHAT TYPE OF MATERIAL WAS INJECTED.**
- Do not point the spray gun at anyone or any part of the body.
- Do not put fingers or hand over the spray tip.
- Do not stop or detect fluid leaks with a rag, hand, body or glove.
- Do not use a rag to blow back fluid. **THIS IS NOT AN AIR SPRAY GUN.**
- Engage the gun safety when not spraying.
- **ALWAYS RELIEVE THE PRESSURE WHENEVER WORKING ON THE SPRAY GUN.**
- Tighten all fluid connections before operating equipment.
- Check all hoses, tubes, and couplings daily. Replace all worn, damaged, or loose parts immediately.

Hazardous fluids or toxic fumes can cause serious injury or death if splashed on skin or in the eyes, swallowed or inhaled.

**TOXIC FLUID HAZARD**

- Know the specific hazards of the fluid you are using. This information is on the MSDS for the material being used. Read all fluid manufacturer's warnings.
- Store hazardous fluids in approved containers only. Dispose of all hazardous fluids in accordance with all state, local and national guidelines.
- Wear the appropriate protective clothing, gloves, eyewear and respirator.

Equipment misuse can cause the equipment to fail, malfunction, or start unexpectedly and result in serious injury.

**EQUIPMENT MISUSE HAZARD**

- This equipment is for professional use only.
- Read and understand all instructional manuals, tags, and labels before operating equipment.

- Use the equipment only for its intended purpose. If you are unsure about its purpose call your local Binks distributor.
- Do not alter or modify this equipment. Use only genuine Binks parts.
- Do not exceed the maximum working pressure of the lowest rated system component. **THE MAXIMUM RATING OF THE MAG II Automatic IS 4000 PSI (275 BAR) FLUID PRESSURE. DO NOT EXCEED THE FLUID PRESSURE RATING.**
- Route all hoses away from all sharp edges, moving parts, hot surfaces and high traffic areas.
- Do not use hoses to pull the equipment.
- Use only Binks approved hoses. Do not remove spring guards from hoses, these are on the hoses to prevent rupture from kinking at the connectors.
- Use only solvents compatible with hoses and wetted parts of the equipment used.
- Comply with all applicable local state and national fire, electrical, and other safety regulations.

Improper grounding, poor air ventilation, open flames, or sparks can cause a hazardous condition and result in fire or explosion and cause serious injury.

**FIRE AND EXPLOSION HAZARD**

- Ground the equipment and object being sprayed.
- Provide fresh air ventilation to avoid the build up of flammable fumes from the material being sprayed or from solvent.
- Extinguish all open flames or pilot lights in spray area.
- Electrically disconnect all equipment in the spray area.
- Keep the spray area free from all debris, including solvent rags.
- If there is any static sparking while using the equipment, **STOP SPRAYING IMMEDIATELY.** Identify and correct problem.

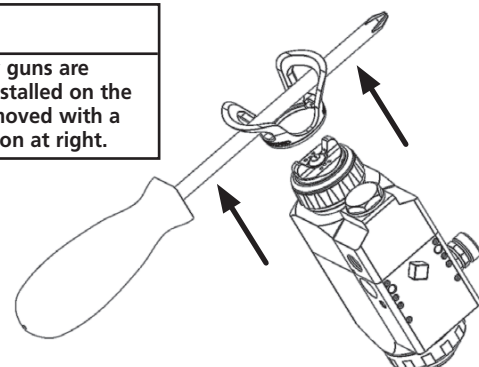
**NOISE LEVELS**

- The A-weighted sound level of spray guns may exceed 85 dB(A) depending on the setup being used. It is recommended that ear protection is worn at all times when spraying.

**CA PROP  
65**

**PROP 65 WARNING**  
WARNING: This product contains chemicals known to the State of California to cause cancer and birth defects or other reproductive harm.

**NOTE**  
Mag II Automatic Flat Tip HVLP spray guns are shipped with plastic Flat Tip guard installed on the air cap. The Flat Tip guard can be removed with a screwdriver as shown in the illustration at right.



**MAG II AUTOMATIC HVLP SPRAY GUN SET-UP INSTRUCTIONS — SPRAY INSTRUCTIONS****TO CHANGE FROM COMBINED FAN AND ATOMIZING AIR TO SEPARATE FAN AND ATOMIZING AIR (FLAT TIP ONLY)**

1. Remove item (32) side port control by turning counter-clockwise with a 9/16 wrench.
2. Install item (40) set screw into thread at the bottom of tapered cavity of where the side port was.
3. Install item (41) side port plug into the upper part of the threaded cavity of where the side port was.

**SET UP FOR SPRAYING**

Safe connection.

Verify that the gun is grounded per the automated machine manufacturer's recommendations.

Connecting gun to the material hose.

Gun should be connected by a suitable length of 3/8" diameter material hose fitted with a the appropriate connector that mounts to the 1/4" npt female thread of the fluid inlet portion of the manifold. 1/4" diameter hose is recommended for use with low viscosity materials. (Fluid hoses of different composition are available for special fluids.)

Connecting atomizing air to the manifold.

Guns should be connected by a suitable length of 5/16" diameter air hose fitted with a connector that accommodates a 1/4" nps (m) fitting and should connected the atomizing air port.

Connecting air cylinder to the manifold.

Connect 1/4" O.D. tubing to the air cylinder fitting located on the manifold.

Controlling the material flow.

When fed from a pressure supply, an increase in material pressure will increase the rate of flow. Correct fluid tip size ensures correct material flow rate.

Adjusting the spray pattern.

Utilizing the adjusting side port control you can get a 30% range of pattern Adjustment. With the gun set up to operate with remote fan air you can accommodate a 40% reduction in pattern width by increasing air pressure to the fan port.

**NOTE**

Will vary with fluid viscosity.

**GENERAL SPRAY INSTRUCTIONS**

1. Have at least 55-60 psi air pressure for the cylinder operating air.
2. To reduce overspray and obtain maximum efficiency, always spray with the lowest possible fluid/air pressure that produces an acceptable pattern.
3. The air line to a three way valve should be as short as possible for rapid operation.
4. All the air used in the gun should be dirt and moisture free. This is accomplished by using an oil and water extractor.
5. Shut off all the fluid and air lines to the gun if the gun is to stand idle for any length of time. This is to prevent build-up or accumulation of minute leaks in the system from turning the gun on.
6. The distance between gun and surface should be 6 to 12 inches depending on material and the atomizing pressure. The material deposited should always be even and wet. Lap each stroke over the proceeding stroke to obtain a uniform finish.
7. Set the fluid pressure to achieve low pressure airless pattern with tails approximately 300 to 500 psi and will vary with fluid viscosity.
8. Open the side port control knob.
9. Set the atomizing pressure to 5 psi and increase until the tails have been removed from the pattern and proper atomization has been achieved. If more than 30 psi of atomizing air is required, increase fluid pressure instead of atomizing air. If the spraying pattern develops tails or is not uniform, gradually increase the air pressure as necessary to develop a uniform spraying pattern. 14 psi is the maximum inlet pressure for HVLP flat tip air cap (20 psi max. for HVLP twist tip cap), or use 20-30 psi inlet air pressure for LVMP. The HVLP flat tip and twist tip air caps consume 5-8 SCFM air at their respective maximum inlet air pressures. The LVMP flat tip and twist tip air caps consume 3-4 SCFM at 20-30 psi inlet air pressure. The air is used to assist the atomization of the coating.
10. Note: Excessive fluid/air pressure will distort the spray pattern and produce excessive overspray. The "hourglass" and "tails" on a spray patterns indicate too low of fluid/air pressure or materials is too thick or viscous. A worn or clogged tip can also cause spray pattern distortion.

**NOTE**

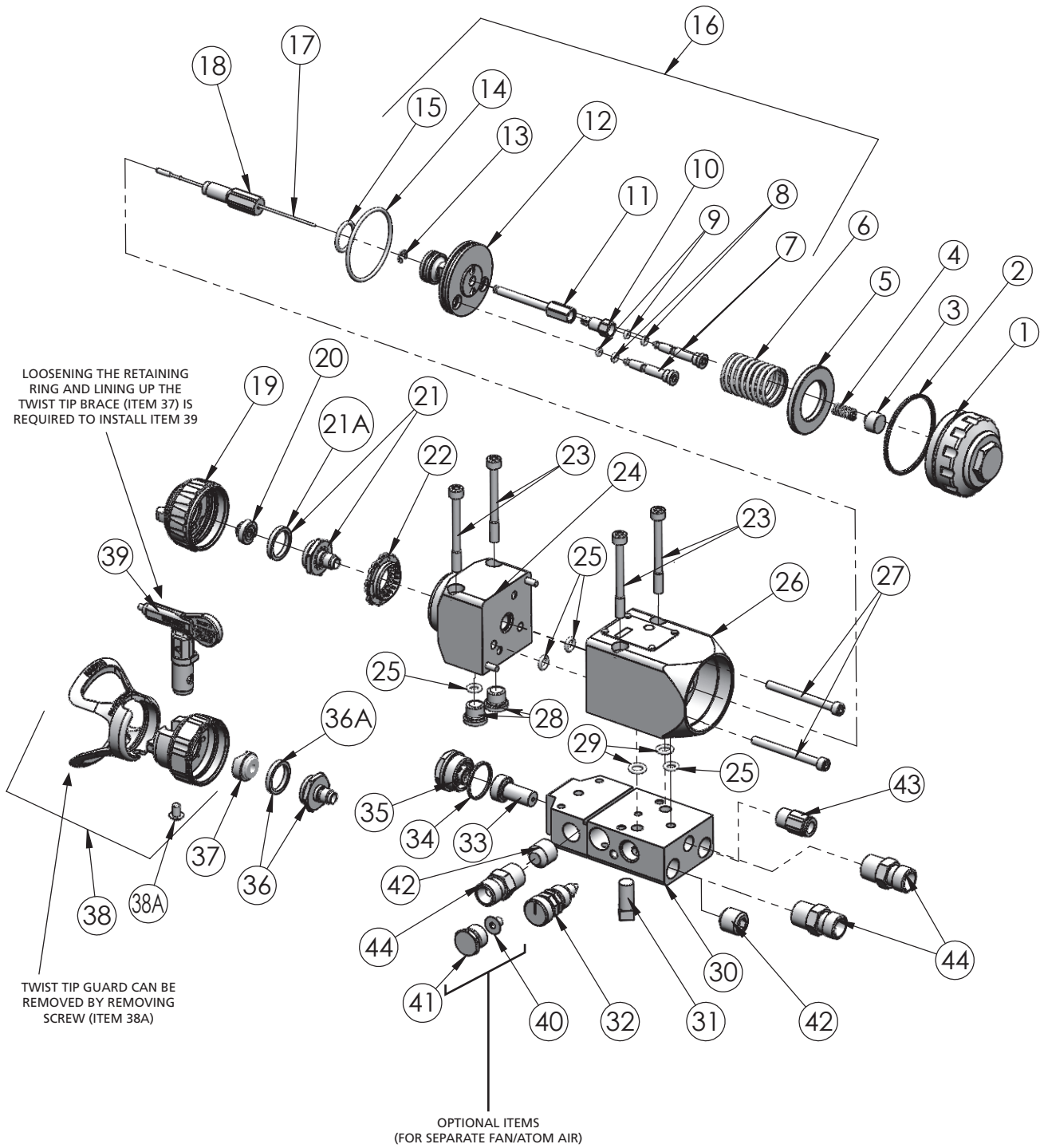
For HVLP spray, fan adjustment feature requires 14 psi max. of air pressure. (20 psi max. for HVLP twist tip.) For LVMP spray, fan adjustment requires approximately 20-30 psi of air inlet pressure. Higher fluid pressure requires higher air inlet pressures to accommodate pattern adjustment.

**FLUID TIP SELECTION**

Factors to consider in selecting a fluid tip for an air-assisted airless spray gun include (1) the size of the parts being sprayed; (2) the production line speed; (3) the material flow rate and film thickness; (4) the viscosity of the material applied; (5) the type of material applied; and

(6) the quality of atomization of the coating required. The selection of a fluid tip necessary to perform a specific spraying job is best determined through a combination of experimentation and expert advice from your material and equipment suppliers.

**MAG II AUTOMATIC MANIFOLD MOUNTED AIR-ASSISTED HVLP SPRAY GUN**



**MAG II AUTOMATIC MANIFOLD MOUNTED AIR-ASSISTED HVLP SPRAY GUN**
**PARTS LIST**

When ordering, please specify Part Number.

ITEM NO.	NOTES	PART NO.	DESCRIPTION	QTY.
1		54-5908	REAR CAP	1
2	●	20-6783	O-RING	1
3		54-5910	SPRING HOUSING	1
4		54-5909	NEEDLE RETURN SPRING	1
5	●		PISTON IMPACT RING	1
6		54-5332	PISTON RETURN SPRING	1
7	★	54-5318	ATOMIZING AIR VALVE	2
8	★●	20-6785	O-RING	2
9	★	20-6786	O-RING	2
10	★	54-5387	COLLET LOCK NUT	1
11	★	54-5317	COLLET	1
12	★		PISTON BODY	1
13	★		E-CLIP	1
14	★●	20-6783	O-RING	1
15	★●	20-6784	O-RING	1
16		54-5380	PISTON ASSEMBLY	1
17		54-5378	FLUID NEEDLE, TUNGSTEN CARBIDE	1
18		54-5376	FLUID CARTRIDGE ASSEMBLY	
22		SPA-71-K5	BAFFLE PLATE (KIT OF 5)	1
23		20-6789-K4	SCREW (KIT OF 4)	4
24		54-5901	GUN HEAD	1
25	●	20-4615-5	O-RING, PTFE (KIT OF 5)	4
26		54-5902	AUTOMATIC PISTON HOUSING	1
27		54-5333-K6	RETAINING CAP SCREW (KIT OF 6)	2
28		54-5326	FLUID MANIFOLD PORT PLUG	2
29	●	20-3467	O-RING, PTFE	2
30		54-5907	MANIFOLD FLUID/AIR INLET	1
31		20-1359-1	SCREW, SQ. HEAD	1
32		54-3720	SIDE PORT ASSEMBLY	1
33		54-1835	100 MESH FILTER	1
34	●	20-5921	O-RING	1
35		54-5340	FILTER RETAINER ASSEMBLY	1

● Available as part of Rebuild Kit 54-5307.

★ 54-5380 Piston Assembly

ITEM NO.	NOTES	PART NO.	DESCRIPTION	QTY.
<b>FLAT TIP COMPONENTS</b>				
19		54-5795-K	FLAT TIP HVLP AIR CAP w/RET. RING	1
20	■	114-XXXXX	AIRLESS TIP (FINE FINISH 9-XXXX-F)	1
21		54-5799-K	FLUID NOZZLE w/T.C. SEAT & GASKET	1
21	OPTIONAL UHMW *	54-5811-K	FLUID NOZZLE w/UHMWPE SEAT & GASKET	1
21A		SPA-98-K5	GASKET (PKG. OF 5 EA.)	REF.

<b>TWIST TIP COMPONENTS</b>				
36		54-5832-K	FLUID NOZZLE ASSEMBLY (T.C.) w/GASKET	1
36	OPTIONAL UHMW *	54-5833-K	UHMW FLUID NOZZLE w/GASKET	1
36A		SPA-98-K5	GASKET (PKG. OF 5 EA.)	REF.
37		54-7539-K2	TWIST TIP BRACE ASSEMBLY (KIT OF 2)	1
38		54-5924-K	TWIST TIP HVLP AIR CAP w/RET. RING	1
		54-5925-K	TWIST TIP LVMP AIR CAP w/RET. RING	1
38A		54-5930	TWIST TIP GUARD SCREW	1
39	■	9-XXX-75	TWIST TIP	1

<b>* OPTIONAL COMPONENTS – ORDER SEPARATELY</b>				
40		20-6748	SCREW	1
41		102-2839	SIDE PORT PLUG	1
42		20-6131	PLUG, 1/4" NPT	2
43		54-4945-K10	TUBE CONNECTOR, 1/8" NPT X 1/4" TUBE (KIT OF 10)	1
44		57-13	D.M. NIPPLE, 1/4" NPT X 1/4" NPS	2
		JGA-156-K10	OPTIONAL SPRING CLIP TO RETAIN AIR CAP (NOT SHOWN)	

■ See chart, page 10, for available tip sizes.

\* Items not provided – order separately.





## MAG II AUTOMATIC MANIFOLD MOUNTED AIR-ASSISTED AIRLESS HVLP SPRAY GUN MAINTENANCE/TROUBLESHOOTING AND SERVICE INSTRUCTIONS

### NOTE

Disassemble spray gun and remove all o-rings before immersing gun in or subjecting it to a flood-wash of cleaning solvent. Contact with solvents may induce o-ring swelling beyond their specification sizes and cause subsequent malfunction of the gun.

Use 41-4458 PTFE based grease to lubricate all o-rings and moving parts before reassembly into the gun body.

To further protect the environment, avoid storing solvents or solvent-soaked wipes, such as those used for surface preparation and cleanup, in open or absorbent containers.

### TROUBLESHOOTING

Numbers in parentheses refer to individual items shown in the “exploded” drawing on page 4.

### CAUTION

Never use metal instruments to clean or scrape fluid or air nozzles. These parts have been carefully machined and altering their shape will cause faulty spray.

### CAUTION

Never use lubricants containing silicone since these lubricants can cause finish defects.

### WARNING

Be sure to follow all safety precautions described on page 2 before working on the spray gun. Never work on the spray gun until fluid pressure has been relieved throughout the system and the power or air supply for the fluid pump has been disconnected. Always test the repaired gun for leaks with low pressure fluid before use.

### SERVICING/REPLACING FLAT TIP AIR CAP, CARBIDE TIP AND FLUID SEAT ASSEMBLY

#### Service symptoms (Flat Tip):

- Coating build-up on air cap or clogged carbide tip
- Fluid seat assembly not sealing properly

1. Depressurize the spray gun.
2. Turn retaining ring (19) counterclockwise and remove.
3. Remove air cap (19) and carbide tip assembly (20) from fluid seat assembly (21). With the air cap facing up, apply pressure to carbide tip (20) and remove from air cap (19).
4. Turn fluid seat assembly (21) counterclockwise and remove.
5. Service or replace and reassemble in reverse order.

### NOTE

Carbide fluid tip needs to be oriented properly in the air cap. The alignment pin in the air cap is to be properly positioned to the slot in the carbide tip.

### SERVICING/REPLACING TWIST TIP AIR CAP, CARBIDE TWIST TIP AND FLUID SEAT ASSEMBLY

#### Service symptoms (Twist Tip):

- Coating build-up on air cap
- Clogged Twist Tip

#### Coating build-up:

1. Depressurize the spray gun.
2. Remove air cap (38) from the spray gun and wash in solvent.
3. Reinstall the air cap (38).

#### Clogged Twist Tip:

1. Point the spray gun toward booth filter and away from your body.
2. Rotate Twist Tip 180 degrees to un-clog the tip.

### REPLACING FLUID CARTRIDGE AND FLUID NEEDLE

#### Service symptoms:

- Fluid leaking from weeps port

1. Turn rear cap (1) counterclockwise and remove the piston return spring from the piston housing (26) and needle return spring (4).
2. With two 5/16" wrenches (not supplied with gun), loosen collet locknut (10) from collet (11).
3. Using a pair of pliers, grip collet (11) and remove piston assembly (16).
4. Place the 3/8" deep socket (supplied with gun) over cartridge assembly (18) and turn counterclockwise.
5. Replace fluid needle (17) or fluid cartridge assembly (18) and reassemble in reverse order using the new components as required.

### NOTE

Piston assembly (16) must be bottomed out on the piston assembly (26) with collet (11) and locknut (10) positioned such that the e-clip (13) is resting against the piston assembly.

### NOTE

If the piston is not positioned correctly, the fluid-to-air timing will not work correctly. See pictorial view on page 8.

6. After the piston assembly has been positioned properly, tighten locknut (10) to collet (11) “wrench tight”.

### REPLACING O-RINGS ON PISTON ASSEMBLY

#### Service symptoms:

- Atomizing air not cycling off
- Air not actuating fluid

1. Turn end cap (1) counterclockwise and remove the piston return spring from the piston housing (26) and needle return spring (4).
2. With two 5/16" wrenches (not supplied with gun), loosen collet locknut (10) from collet (11).
3. Using a pair of pliers, grip collet (11) and remove piston assembly (16).
4. Replace o-rings (8, 9, 14 & 15) using Standard Piston O-ring Repair Kit 54-5303 or High Performance Piston O-ring Repair Kit 54-5307.
5. Apply 41-4458 PTFE-based lubricant provided in the o-ring repair kits to o-rings and reassemble in reverse order.

### NOTE

Piston assembly (16) must be bottomed out on the piston housing (26) with collet (11) and locknut (10) positioned such that the e-clip (13) is resting against the piston assembly.

### NOTE

If the piston is not positioned correctly, the fluid-to-air timing will not work correctly. See pictorial view on page 8.

6. After the piston assembly has been positioned properly, tighten locknut (10) to collet (11) “wrench tight”.

### SERVICING/REPLACING FILTER

#### Service symptoms:

- Fluid tip clogging or restriction in fluid flow

1. Using a 3/4" inch wrench, turn filter retainer (35) counterclockwise and remove.
2. Place a standard screwdriver inside the cavity where the filter (33) is housed and dislodge it by lifting up with the screwdriver. Remove filter and clean or replace as required. Most of the time you can dislodge the filter using your finger.
3. Reassemble in reverse order.

### NOTE

O-ring (34) does not require replacement when servicing filter. Replace o-ring (34) if a leak develops around filter retainer (35).

(continued on page 8)

**MAINTENANCE/TROUBLESHOOTING AND SERVICE INSTRUCTIONS (CONTINUED)**

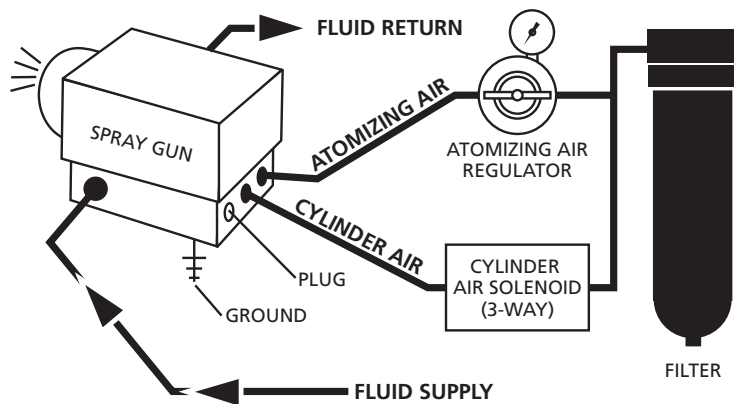
**REMOVING/REPLACING GUN ASSEMBLY MODULE ONLY FROM INLET MANIFOLD ASSEMBLY**

1. Using a 9/64" Allen wrench (supplied with gun), turn retaining cap screw (23) counter-clockwise typical 4 places and remove gun sub module.
2. Mount the new gun module, tightening the retaining screws (23) "wrench tight". This will allow fluid and air passages to seal with no contamination.

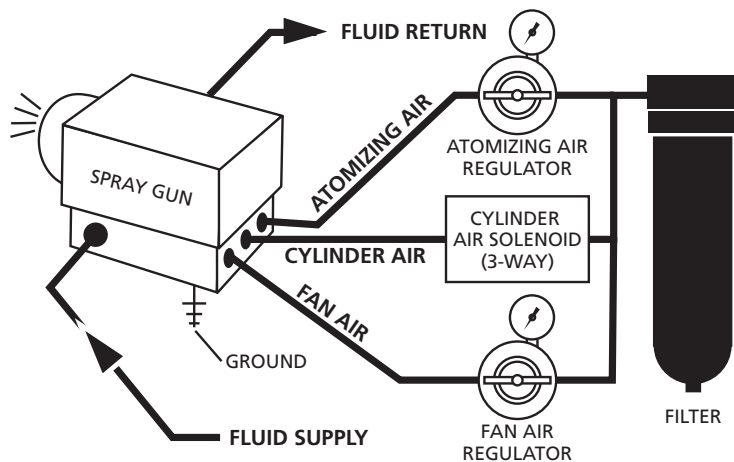
<b>NOTE</b>
O-rings (25 & 29) must be replaced when replacing gun sub module.

**MAG II AUTOMATIC HVLP HOSE HOOK-UPS**

**Hose Hook-Up with Atomizing/Fan Air COMBINED**



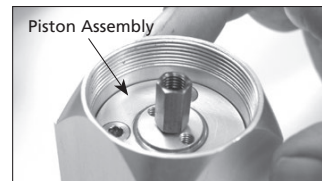
**Hose Hook-Up with Atomizing/Fan Air SEPARATED (FOR FLAT TIP APPLICATIONS ONLY)**



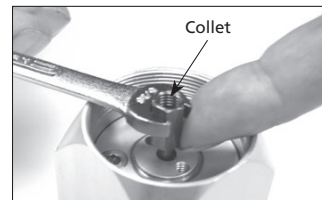
**MAG II AUTOMATIC HVLP PISTON POSITIONING**



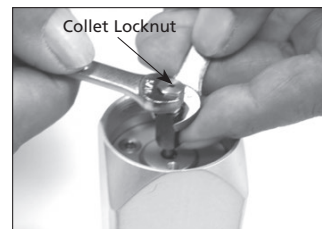
Install piston assembly into piston housing. Be sure all o-rings are properly lubricated with 41-4458 PTFE-based lubricant provided with o-ring repair kits.



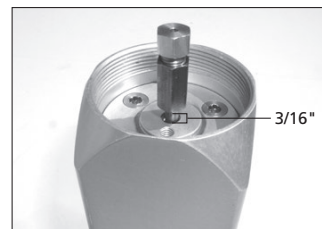
Piston assembly must be bottomed out in the piston housing (approximately 5/8" from the top of the piston housing).



Lift the collet until it stops and hold in an upright position while inserting a 5/16" wrench onto the collet.



Insert and tighten the collet locknut using a second 5/16" wrench and "wrench tighten".

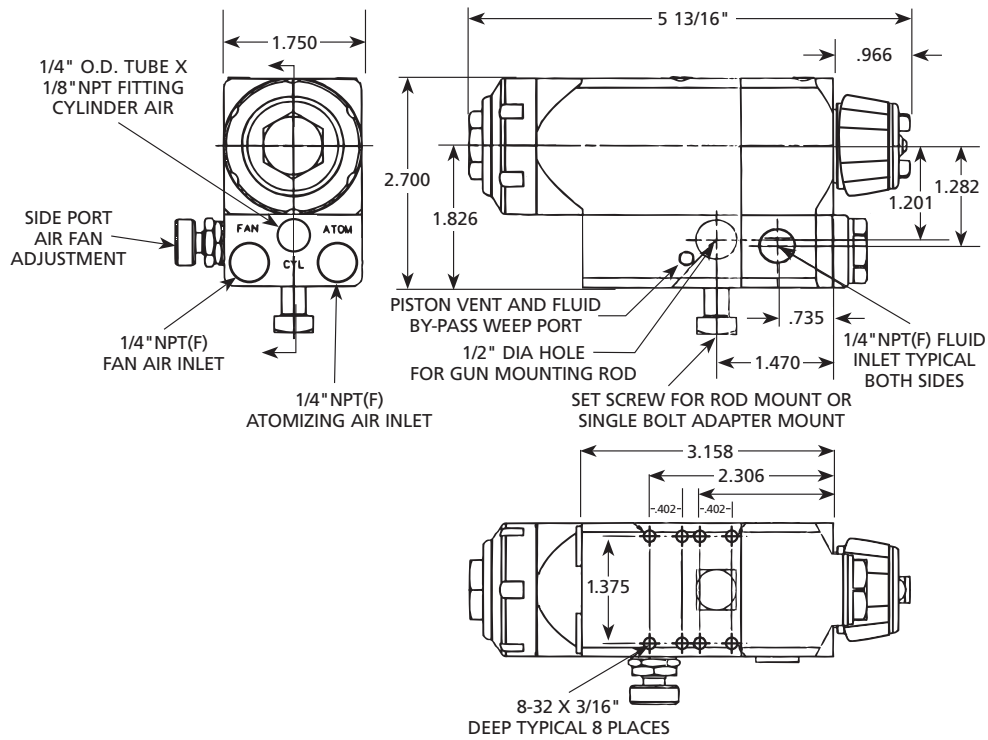


If properly assembled, bottom of collet should be 3/16" from the top of the piston assembly.

<b>NOTE</b>
The gun will leak air if the piston is not adjusted correctly.

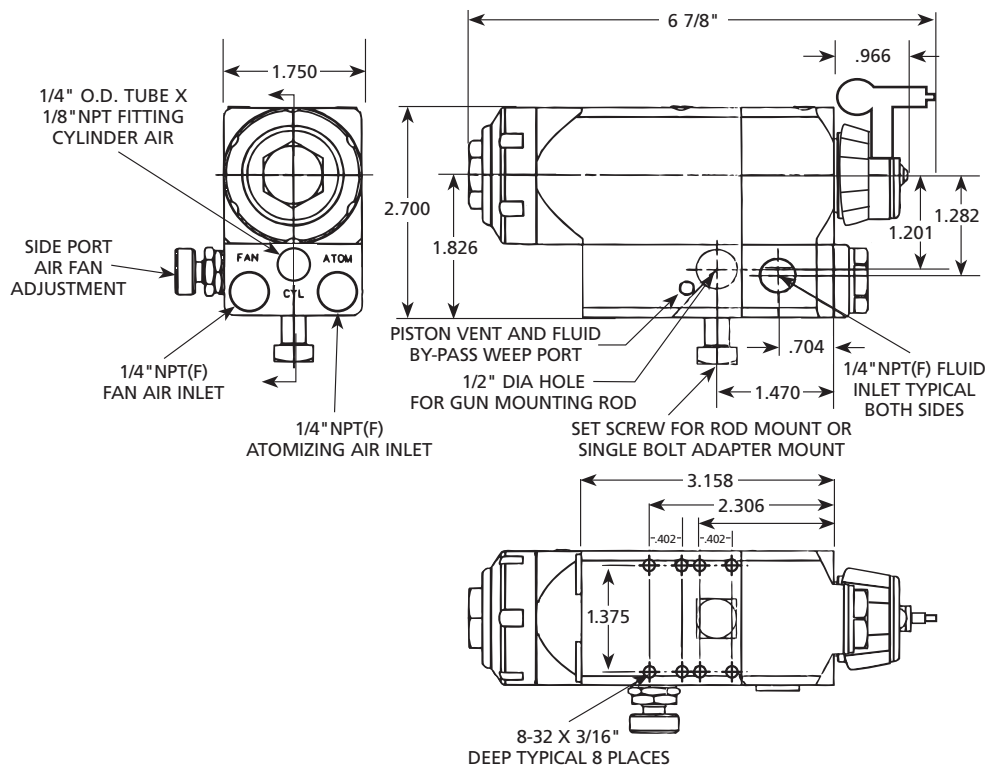


**MAG II AUTOMATIC HVLP MOUNTING SPECIFICATIONS  
(FLAT TIP)**



**PLATE MOUNTING SPECIFICATIONS**

**MAG II AUTOMATIC HVLP MOUNTING SPECIFICATIONS  
(WITH TWIST TIP)**



**PLATE MOUNTING SPECIFICATIONS**

## MAG II AUTOMATIC MANIFOLD MOUNTED AIR-ASSISTED HVLP SPRAY GUN

### TWIST TIP SELECTION CHARTS

Fan width based on 2200 PSI with latex paint 12" from surface. Actual results may vary, depending on material viscosity.

PART NUMBER	DESCRIPTION	ORIFICE	FAN WIDTH (IN.)	GPM CAPACITY @2200 PSI
9-307-75	TWIST TIP	0.007	6	0.05
9-309-75	TWIST TIP	0.009	6	0.09
9-409-75	TWIST TIP	0.009	8	0.09
9-509-75	TWIST TIP	0.009	10	0.09
9-211-75	TWIST TIP	0.011	4	0.12
9-311-75	TWIST TIP	0.011	6	0.12
9-411-75	TWIST TIP	0.011	8	0.12
9-511-75	TWIST TIP	0.011	10	0.12
9-611-75	TWIST TIP	0.011	12	0.12
9-213-75	TWIST TIP	0.013	4	0.18
9-313-75	TWIST TIP	0.013	6	0.18
9-413-75	TWIST TIP	0.013	8	0.18
9-513-75	TWIST TIP	0.013	10	0.18
9-613-75	TWIST TIP	0.013	12	0.18
9-713-75	TWIST TIP	0.013	14	0.18
9-215-75	TWIST TIP	0.015	4	0.24
9-315-75	TWIST TIP	0.015	6	0.24
9-415-75	TWIST TIP	0.015	8	0.24
9-515-75	TWIST TIP	0.015	10	0.24
9-615-75	TWIST TIP	0.015	12	0.24
9-715-75	TWIST TIP	0.015	14	0.24
9-317-75	TWIST TIP	0.017	6	0.31
9-417-75	TWIST TIP	0.017	8	0.31
9-517-75	TWIST TIP	0.017	10	0.31
9-617-75	TWIST TIP	0.017	12	0.31
9-717-75	TWIST TIP	0.017	14	0.31
9-419-75	TWIST TIP	0.019	8	0.38
9-519-75	TWIST TIP	0.019	10	0.38
9-619-75	TWIST TIP	0.019	12	0.38
9-521-75	TWIST TIP	0.021	10	0.47
9-621-75	TWIST TIP	0.021	12	0.47
9-523-75	TWIST TIP	0.023	10	0.57
9-623-75	TWIST TIP	0.023	12	0.57
9-525-75	TWIST TIP	0.025	10	0.67
9-625-75	TWIST TIP	0.025	12	0.67
9-627-75	TWIST TIP	0.027	12	0.74
9-435-75	TWIST TIP	0.035	8	1.31
9-631-75	TWIST TIP	0.031	12	1.03
9-635-75	TWIST TIP	0.035	12	1.31

### FINE FINISH FLAT TIP SELECTION CHARTS

Fan width based on 1000 PSI with water 12" from surface. Actual results may vary, depending on material viscosity.

PART NUMBER	DESCRIPTION	ORIFICE	FAN WIDTH (IN.)	GPM CAPACITY @500 PSI WATER
9-0909-F	FINE FINISH TIP	0.009	9	0.039
9-0911-F	FINE FINISH TIP	0.009	11	0.039
9-1109-F	FINE FINISH TIP	0.011	9	0.06
9-1111-F	FINE FINISH TIP	0.011	11	0.06
9-1113-F	FINE FINISH TIP	0.011	13	0.06
9-1115-F	FINE FINISH TIP	0.011	15	0.06
9-1309-F	FINE FINISH TIP	0.013	9	0.09
9-1311-F	FINE FINISH TIP	0.013	11	0.09
9-1313-F	FINE FINISH TIP	0.013	13	0.09
9-1315-F	FINE FINISH TIP	0.013	15	0.09
9-1509-F	FINE FINISH TIP	0.015	9	0.12
9-1511-F	FINE FINISH TIP	0.015	11	0.12
9-1513-F	FINE FINISH TIP	0.015	13	0.12
9-1515-F	FINE FINISH TIP	0.015	15	0.12
9-1517-F	FINE FINISH TIP	0.015	17	0.12
9-1709-F	FINE FINISH TIP	0.017	9	0.16
9-1711-F	FINE FINISH TIP	0.017	11	0.16
9-1713-F	FINE FINISH TIP	0.017	13	0.16
9-1715-F	FINE FINISH TIP	0.017	15	0.16
9-1717-F	FINE FINISH TIP	0.017	17	0.16

### STANDARD FLAT TIP SELECTION CHARTS

Fan width based on 1000 PSI with water 12" from surface. Actual results may vary, depending on material viscosity.

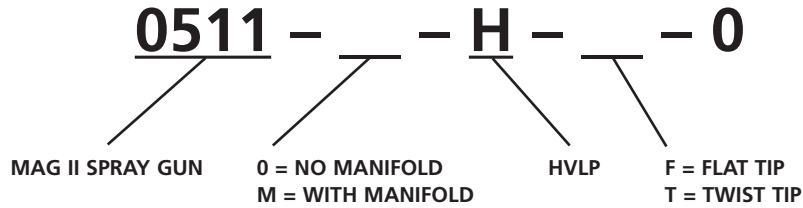
PART NUMBER	DESCRIPTION	ORIFICE	FAN WIDTH (IN.)	GPM CAPACITY @500 PSI WATER
114-00702	TIP ASSEMBLY	.007	2	.028
114-00704	TIP ASSEMBLY	.007	4	.028
114-00706	TIP ASSEMBLY	.007	6	.028
114-00708	TIP ASSEMBLY	.007	8	.028
114-00902	TIP ASSEMBLY	.009	2	.039
114-00906	TIP ASSEMBLY	.009	6	.039
114-00908	TIP ASSEMBLY	.009	8	.039
114-00910	TIP ASSEMBLY	.009	10	.039
114-00912	TIP ASSEMBLY	.009	12	.039
114-01104	TIP ASSEMBLY	.011	4	.060
114-01106	TIP ASSEMBLY	.011	6	.060
114-01108	TIP ASSEMBLY	.011	8	.060
114-01110	TIP ASSEMBLY	.011	10	.060
114-01112	TIP ASSEMBLY	.011	12	.060
114-01114	TIP ASSEMBLY	.011	14	.060
114-01304	TIP ASSEMBLY	.013	4	.090
114-01306	TIP ASSEMBLY	.013	6	.090
114-01308	TIP ASSEMBLY	.013	8	.090
114-01310	TIP ASSEMBLY	.013	10	.090
114-01312	TIP ASSEMBLY	.013	12	.090
114-01314	TIP ASSEMBLY	.013	14	.090
114-01316	TIP ASSEMBLY	.013	16	.090
114-01506	TIP ASSEMBLY	.015	6	.120
114-01508	TIP ASSEMBLY	.015	8	.120
114-01510	TIP ASSEMBLY	.015	10	.120
114-01512	TIP ASSEMBLY	.015	12	.120
114-01514	TIP ASSEMBLY	.015	14	.120
114-01516	TIP ASSEMBLY	.015	16	.120
114-01518	TIP ASSEMBLY	.015	18	.120
114-01706	TIP ASSEMBLY	.017	6	.160
114-01708	TIP ASSEMBLY	.017	8	.160
114-01710	TIP ASSEMBLY	.017	10	.160
114-01712	TIP ASSEMBLY	.017	12	.160
114-01714	TIP ASSEMBLY	.017	14	.160
114-01716	TIP ASSEMBLY	.017	16	.160
114-01718	TIP ASSEMBLY	.017	18	.160
114-01906	TIP ASSEMBLY	.019	6	.190
114-01908	TIP ASSEMBLY	.019	8	.190
114-01910	TIP ASSEMBLY	.019	10	.190
114-01912	TIP ASSEMBLY	.019	12	.190
114-01914	TIP ASSEMBLY	.019	14	.190
114-01916	TIP ASSEMBLY	.019	16	.190
114-01918	TIP ASSEMBLY	.019	18	.190
114-02110	TIP ASSEMBLY	.021	10	.240
114-02112	TIP ASSEMBLY	.021	12	.240
114-02114	TIP ASSEMBLY	.021	14	.240
114-02116	TIP ASSEMBLY	.021	16	.240
114-02118	TIP ASSEMBLY	.021	18	.240
114-02410	TIP ASSEMBLY	.024	10	.310
114-02412	TIP ASSEMBLY	.024	12	.310
114-02414	TIP ASSEMBLY	.024	14	.310
114-02416	TIP ASSEMBLY	.024	16	.310
114-02418	TIP ASSEMBLY	.024	18	.310
114-02710	TIP ASSEMBLY	.027	10	.385
114-02712	TIP ASSEMBLY	.027	12	.385
114-02714	TIP ASSEMBLY	.027	14	.385
114-02716	TIP ASSEMBLY	.027	16	.385
114-02718	TIP ASSEMBLY	.027	18	.385

### TWIST TIP NOTE

When switching from flat tip to twist tip, increase pattern size by 2 inches and use air adjustment to turn down to desired size.

**MAG II AUTOMATIC MANIFOLD MOUNTED AIR-ASSISTED HVLP SPRAY GUN**

**MAG II DESIGNATION**



**HOW TO ORDER THE MAG II AUTOMATIC SPRAY GUN WITHOUT MANIFOLD**

- 0511-0HF0** MAG II Automatic HVLP Spray Gun WITHOUT MANIFOLD, (Flat Tip)
- 0511-0HT0** MAG II Automatic HVLP Spray Gun WITHOUT MANIFOLD, (Twist Tip)

*Spray tips must be ordered separately. Use the spray tip selection chart to determine orifice size and fan size required.*

**HOW TO ORDER THE MAG II AUTOMATIC SPRAY GUN WITH MANIFOLD**

- 0511-MHF0** MAG II Automatic HVLP Spray Gun WITH MANIFOLD, (Flat Tip)
- 0511-MHT0** MAG II Automatic HVLP Spray Gun WITH MANIFOLD, (Twist Tip)

*Spray tips must be ordered separately. Use the spray tip selection chart to determine orifice size and fan size required.*

**REPAIR, CLEANING & MOUNTING KITS**

PART NO.	DESCRIPTION
54-4994	Cleaning Kit: includes one standard stiff nylon pipe cleaning brush, full-size nylon brush, tip cleaner, and Binks Gunners Mate Lubricant
54-5303	Standard Performance Seal Kit (optional)
54-5396	Piston Collet Repair Kit
54-5307	High Performance Seal Kit (standard in gun)
54-5399	Single Bolt CEFLA Adapter Kit

**FLUID FILTER**

PART NO.	DESCRIPTION
54-1835	100 Mesh Filter Screen

**ACCESSORIES**

PART NO.	DESCRIPTION
41-4458	PTFE O-ring Lube
54-5932-K	Twist Tip HVLP Air Cap Test Kit
54-5837-K	Flat Tip HVLP Air Cap Test Kit
54-380	Gun Mounting Bracket

**FLAT TIP COMPONENTS**

PART NO.	DESCRIPTION
54-5799-K	FLUID SEAT, TUNGSTEN CARBIDE w/GASKET
54-5811-K	FLUID SEAT, UHMPE w/GASKET (OPTIONAL)
SPA-98-K5	GASKET (KIT OF 5)
114-XXXXX	FLAT TIP
9-XXXX-F	FLAT TIP (FINE FINISH)
54-5795-K	FLAT TIP HVLP AIRCAP KIT
54-5797-K	FLAT TIP LVMP AIRCAP KIT
54-5852	RETAINING RING
54-5794	FLAT TIP GUARD

**TWIST TIP COMPONENTS**

PART NO.	DESCRIPTION
54-5832-K	TWIST TIP FLUID SEAT, TUNGSTEN CARBIDE w/GASKET
54-5833-K	TWIST TIP FLUID SEAT, UHMPE w/GASKET
9-XXX-75	TWIST TIP
54-7539-K2	TWIST TIP BRACE (KIT OF 2)
54-5924-K	TWIST TIP HVLP AIRCAP KIT
54-5925-K	TWIST TIP LVMP AIRCAP KIT
54-5928	RETAINING RING
54-5921	TWIST TIP GUARD
SPA-98-K5	GASKET (KIT OF 5)

---

**WARRANTY**

This product is covered by Binks' 1 Year Limited Warranty.

---

**Binks Sales and Service: [www.binks.com](http://www.binks.com)**

---

***BINKS***

U.S.A./Canada Customer Service  
195 Internationale Blvd.  
Glendale Heights, IL 60139  
630-237-5000

Toll Free Customer Service  
and Technical Support  
800-992-4657  
Toll Free Fax  
888-246-5732



# PISTOLA PULVERIZADORA AIRLESS MAG II CON HVLP AUTOMÁTICA ASISTIDA POR AIRE

(RECUBRIMIENTOS U.V. Y CONVENCIONALES)

0511-0HF0, 0511-0HT0, 0511-MHF0, 0511-MHT0

Las instrucciones siguientes proporcionan la información necesaria para el buen funcionamiento y mantenimiento preventivo de la pistola pulverizadora airless MAG II montada en colector con HVLP Automática asistida por aire de Binks. Por favor, lea y comprenda toda la información contenida en este documento con el fin de obtener el máximo rendimiento de su nueva pistola pulverizadora MAG II.

En la pistola pulverizadora MAG II con HVLP automática, la pintura o cualquier otro material a pulverizar es atomizado, forzada a través de la punta de carburo con la presión del fluido típica de 1,500-3,800 psi (con capacidades de hasta 4,000 psi/275 bar). Esta atomización, además de la conformación final del aire provista por la tapa de aire, produce un patrón de pulverización con calidad excepcional y uniforme. El resultado de este patrón de pulverización es un acabado uniforme que se presta a los productos que necesitan un acabado excepcionalmente fino con emisiones COV y de sobrepulverización reducida.



ESPECIFICACIONES:	
Max. Presión de aire:	100 psi/6.8 bar
Punta giratoria HVLP:	20 psi de presión de entrada es de 10 psi de presión en el cabezal de aire a las 5 CFM volumen de aire
Punta plana HVLP:	15 psi de presión de entrada es de 10 psi de presión en el cabezal de aire a las 8 CFM volumen de aire
Max. Presión de líquido:	4000 psi/275 bar
Presión del actuador del cilindro Min. / Max.:	50 psi/3.4 bar (min.), 100 psi/6.8 bar (máx.)
Cuerpo de la pistola:	Acero Inoxidable, Aluminio
Trayecto del fluido:	Aluminio cubierto de nituff
Tipo de cierre de Fluido:	Asiento de carburo de tungsteno
Tamaño de entrada y salida de Fluido:	Rosca de 1/4 " NPT(F)
Tamaño de la entrada de aire:	<b>Aire de atomización:</b> cuerpo del colector de 1/4" NPT(F). <b>Aire del ventilador:</b> cuerpo del colector de 1/4" NPT(F) <b>Aire del cilindro:</b> cuerpo del colector del 1/8" NPT(F)
Peso de la pistola:	1.8 libras. (0.816 kg)
Agujero en pistola:	1/2" de diámetro

## NOTA

**Por favor, asegúrese de leer las advertencias en la página 2.**

La pistola pulverizadora MAG II con HVLP automática utiliza alta presión para pulverizar pinturas y solventes. Debido a que los líquidos pulverizados a alta presión puede causar lesiones, y algunas pinturas y solventes pueden ser tóxicos o causar explosiones e incendios en ciertas condiciones, su seguridad y la seguridad de los demás dependerá de su lectura de la información en esta hoja de parte.

Si usted tiene alguna pregunta o no entiende la información que se presenta, llame a su representante de servicio más cercano.

Sustituye  
hoja de piezas  
77-2949R-1

Hoja de  
piezas  
77-2949R-2



**⚠ WARNING**

ES RESPONSABILIDAD DEL EMPLEADOR PROVEER ESTA INFORMACIÓN AL OPERADOR DEL EQUIPO. PARA INFORMACIÓN SOBRE SEGURIDAD ADICIONAL CON RESPECTO A BINKS Y EQUIPO DEVILBISS, CONSULTE EL FOLLETO DE SEGURIDAD GENERAL DEL EQUIPO (77-5300).



LA ALTA PRESIÓN PUEDE CAUSAR LESIONES GRAVES SI EL EQUIPO SE INSTALA Y UTILIZA DE FORMA INCORRECTA-

LEA, ENTIENDA Y SIGA TODAS LAS ADVERTENCIAS E INSTRUCCIONES DE ESTE MANUAL.

OPERE EL EQUIPO SOLAMENTE DESPUÉS DE QUE TODAS LAS INSTRUCCIONES SE HAYAN ENTENDIDO CLARAMENTE.

En esta hoja de parte, las palabras **ADVERTENCIA**, **PRECAUCIÓN** y **NOTA** se utilizan para resaltar la información importante de seguridad de la siguiente manera:

**⚠ ADVERTENCIA**  
Riesgos o prácticas inseguras que podrían resultar en graves lesiones personales, muerte o daños materiales considerables.

**⚠ PRECAUCIÓN**  
Riesgos o prácticas inseguras que podrían resultar en daños menores por lesiones personales, al producto o la propiedad.

**NOTA**  
Información importante de instalación, operación o mantenimiento.

**PELIGRO POR INYECCIÓN**

La pulverización de la pistola, las fugas de la manguera o los componentes rotos pueden inyectar fluido en su cuerpo y causar lesiones extremadamente graves, como un envenenamiento o la necesidad de amputación. Las salpicaduras de líquido en los ojos o la piel también pueden causar lesiones graves.

- El fluido inyectado en la piel puede verse como un simple corte, pero es una lesión grave y debe tratarse como tal. OBTENGA ATENCIÓN MÉDICA INMEDIATA. INFORME AL MÉDICO EL TIPO DE MATERIAL QUE SE INYECTÓ.
- No apunte la pistola hacia alguien o alguna parte del cuerpo.
- No ponga los dedos o la mano sobre la boquilla.
- No pare o detecte fugas de líquido con un trapo, la mano, el cuerpo o un guante.
- No utilice trapos para quitar líquido. ESTA NO ES UNA PISTOLA DE AIRE.
- Active el seguro de la pistola cuando no esté pulverizando.
- SIEMPRE ALIVIE LA PRESIÓN CUANDO TRABAJE CON LA PISTOLA.
- Apriete todas las conexiones antes de operar el equipo.
- Revise todas las mangueras, tubos y acoplamientos diariamente. Vuelva a colocar todas las pieza gastadas, dañadas, o sueltas de inmediato.

Los líquidos peligrosos o gases tóxicos puede causar lesiones graves o la muerte si entran en contacto con la piel o los ojos, o si se ingieren o inhalan.

**PELIGRO DE FLUIDO TÓXICO**

- Conozca los riesgos específicos del líquido que esté utilizando. Esta información está en la ficha de seguridad del material que se utiliza. Lea todas las advertencias del fabricante del líquido.
- Guarde los líquidos peligrosos en recipientes aprobados. Deshágase de todos los fluidos peligrosos de acuerdo con todas las normas de estatales, locales y nacionales.
- Use la ropa protectora, guantes, gafas y mascarilla adecuados.

El mal uso de equipos puede provocar que éste falle, tenga un funcionamiento defectuoso, o se active de forma inesperada que puede causar lesiones graves.

**PELIGRO DE USO INDEBIDO DEL EQUIPO**

- Este equipo es sólo para uso profesional.
- Lea y comprenda todos los manuales de instrucción, marbetes y etiquetas antes de operar el equipo.

- Use el equipo únicamente para el propósito para el que fue fabricado. Si no está seguro del propósito del equipo, llame al distribuidor de BINKS de su localidad.
- No altere o modifique el equipo. Use piezas originales Binks solamente.
- No sobrepase la presión de trabajo máxima o del componente del sistema más bajo. LA MEDIDA MÁXIMA DE LA PISTOLA MAG II AUTOMÁTICA ES DE 4000 PSI (275 BAR) DE PRESIÓN DE FLUIDO. NO EXCEDA LA MEDIDA DE PRESIÓN DE FLUIDO.
- Coloque todas las mangueras lejos de bordes filosos, partes móviles, superficies calientes y áreas de mucho tránsito.
- No retuerza ni doble excesivamente las mangueras ni use las mangueras para tirar de los equipos.
- Use mangueras aprobadas por BINKS. Si viniesen con la unidad, no quite los protectores de resorte de las mangueras ya que están en las mangueras para evitar desgarramientos debidos a retorcimiento en los conectores.
- Use solventes compatibles con las mangueras y las partes húmedas del equipo utilizado solamente
- Cumpla con todas los reglamentos de seguridad locales y nacionales contra incendios, eléctricos y otros.

Una conexión a tierra inadecuada, la mala ventilación de aire, llamas o chispas pueden causar una condición peligrosa y provocar un incendio o una explosión y causar lesiones graves.

**PELIGRO DE INCENDIO Y EXPLOSIÓN**

- Conecte a tierra el equipo y los objetos que estén siendo rociados.
- Proporcione ventilación de aire fresco para evitar la acumulación de gases inflamables del material que está siendo rociado o del disolvente.
- Elimine todas las fuentes de ignición.
- Desconecte de su fuente de energía eléctrica todos los equipos en el área de rociado.
- Mantenga el área de trabajo libre de desechos; incluyendo disolvente, trapos y gasolina.
- Si hubiese chispa estática o sintiese una descarga, DEJE DE OPERAR EL EQUIPO DE INMEDIATO. Identifique y corrija el problema.

**NIVELES DE RUIDO**

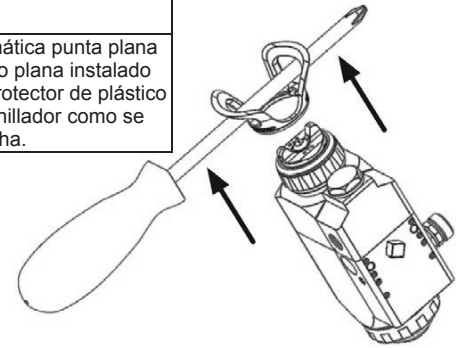
- El nivel sonoro con ponderación de las pistolas puede superar los 85 dB(A) dependiendo de la configuración que se utilice. Se recomienda usar protección auditiva en todo momento durante la pulverización.

**CA PROP  
65**

**ADVERTENCIA PROP 65**  
ADVERTENCIA: Este producto contiene sustancias químicas que el Estado de California reconoce como causantes de cáncer y defectos de nacimiento u otros daños reproductivos.

## NOTA

Las pistolas Mag II con HVLP Automática punta plana se envían con el protector de plástico plana instalado en la punta del cabezal de aire. El protector de plástico plana se puede quitar con un destornillador como se muestra en la ilustración de la derecha.



## INSTRUCCIONES DE MONTAJE DE LA PISTOLA MAG II CON HVLP AUTOMÁTICA - INSTRUCCIONES DE PULVERIZADO

### PARA CAMBIAR DE VENTILADOR COMBINADO Y AIRE DE ATOMIZACIÓN A VENTILADOR SEPARADO Y AIRE DE ATOMIZACIÓN (PUNTA PLANA SÓLO)

1. Quitar el elemento (32) el control del puerto lateral girando en contra de las manecillas del reloj con una llave 9/16.
2. Instalar el elemento (40) el tornillo de ajuste en la rosca en la parte inferior de la cavidad cónica en donde estaba el puerto lateral.
3. Instalar el elemento (41) el tapón de puerto lateral en la parte superior de la cavidad roscada en donde estaba el puerto lateral.

### CONFIGURACIÓN PARA LA PULVERIZACIÓN

#### Conexión segura.

Verificar que la pistola está conectada a tierra según las recomendaciones del fabricante de la máquina automatizada.

#### Conexión de la pistola a la manguera de material.

La pistola debe estar conectada por una manguera de material con longitud adecuada de 3/8" de diámetro equipada con un conector apropiado que se monta en el extremo del npt hembra de 1/4" de la parte de entrada del fluido del colector. Se recomienda una manguera de 1/4" diámetro para su uso con materiales de baja viscosidad. (Las mangueras de fluidos de diferente composición están disponibles para fluidos especiales.)

#### Conexión del aire de atomización al colector.

Las pistolas deben estar conectadas con una longitud adecuada de mangueras de aire de 5/16" de diámetro equipadas con un conector que se adapte a una conexión nps (m) de 1/4" y debe conectarse al puerto del aire de atomización.

#### Conexión del cilindro de aire al colector.

Conecte una tubería de 1/4" de diámetro exterior a la conexión del cilindro de aire situada en el colector.

#### Control del flujo de material.

Cuando se alimenta una fuente de presión, un aumento de la presión del material incrementa la velocidad del flujo. Ajustar el tamaño de la boquilla garantiza la velocidad correcta del flujo de materiales.

#### Ajuste del patrón de pulverización.

Utilizando el control de ajuste de puerto lateral se puede obtener un rango de 30% de ajuste de patrones. Con la pistola ajustada para funcionar con aire del ventilador a distancia, puede obtenerse una reducción del 40% en el ancho del patrón aumentando la presión del aire en el puerto del ventilador.

## NOTA

Puede variar con la viscosidad del fluido.

### INSTRUCCIONES GENERALES DE PULVERIZADO

1. Tener por lo menos 55 a 60 psi de presión de aire para el aire de funcionamiento del cilindro.
2. Para reducir el exceso de rociado y obtener la máxima eficiencia, rocíe siempre con la presión líquido/aire más baja posible que produce un patrón aceptable.
3. La línea de aire a una válvula de tres vías debe ser lo más corta posible para un funcionamiento rápido.
4. Todo el aire que se utiliza en la pistola debe ser libre de suciedad y humedad. Esto se logra mediante el uso de un extractor de aceite y agua.
5. Apague todas las líneas de líquido y aire a la pistola si ésta va a estar inactiva durante un período de tiempo. Esto es para evitar la acumulación de pequeñas fugas en el sistema al encender la pistola.
6. La distancia entre la pistola y la superficie debe ser de 6 a 12 pulgadas dependiendo del material y la presión de atomización. El material depositado debe ser siempre uniforme y húmedo. Aplique cada capa sobre la capa precedente para obtener un acabado uniforme.
7. Ajuste la presión del líquido para lograr un patrón de baja presión sin aire con colas de 300 a 500 psi y variarán con la viscosidad del fluido.
8. Abra la perilla del puerto de lateral de control.
9. Ajustar la presión de atomización a 5 psi y aumente hasta que las colas hayan sido removidas del patrón y se haya logrado la atomización apropiada. Si se requiere más de 30 psi de aire de atomización, aumente la presión del líquido en vez de la atomización de aire. Si el patrón de rociado se desarrolla colas o no es uniforme, aumente gradualmente la presión del aire es necesario para desarrollar un patrón de pulverización uniforme.
10. Nota: La presión de líquido/aire excesiva distorsionará el patrón de rociado y producirá exceso de rociado. Los patrones de "reloj de arena" y "cola" indican que hay una presión líquido/aire demasiado baja o que el material es demasiado espeso o viscoso. A punta gastada u obstruida también puede causar una distorsión en el patrón de la pulverización.

## NOTA

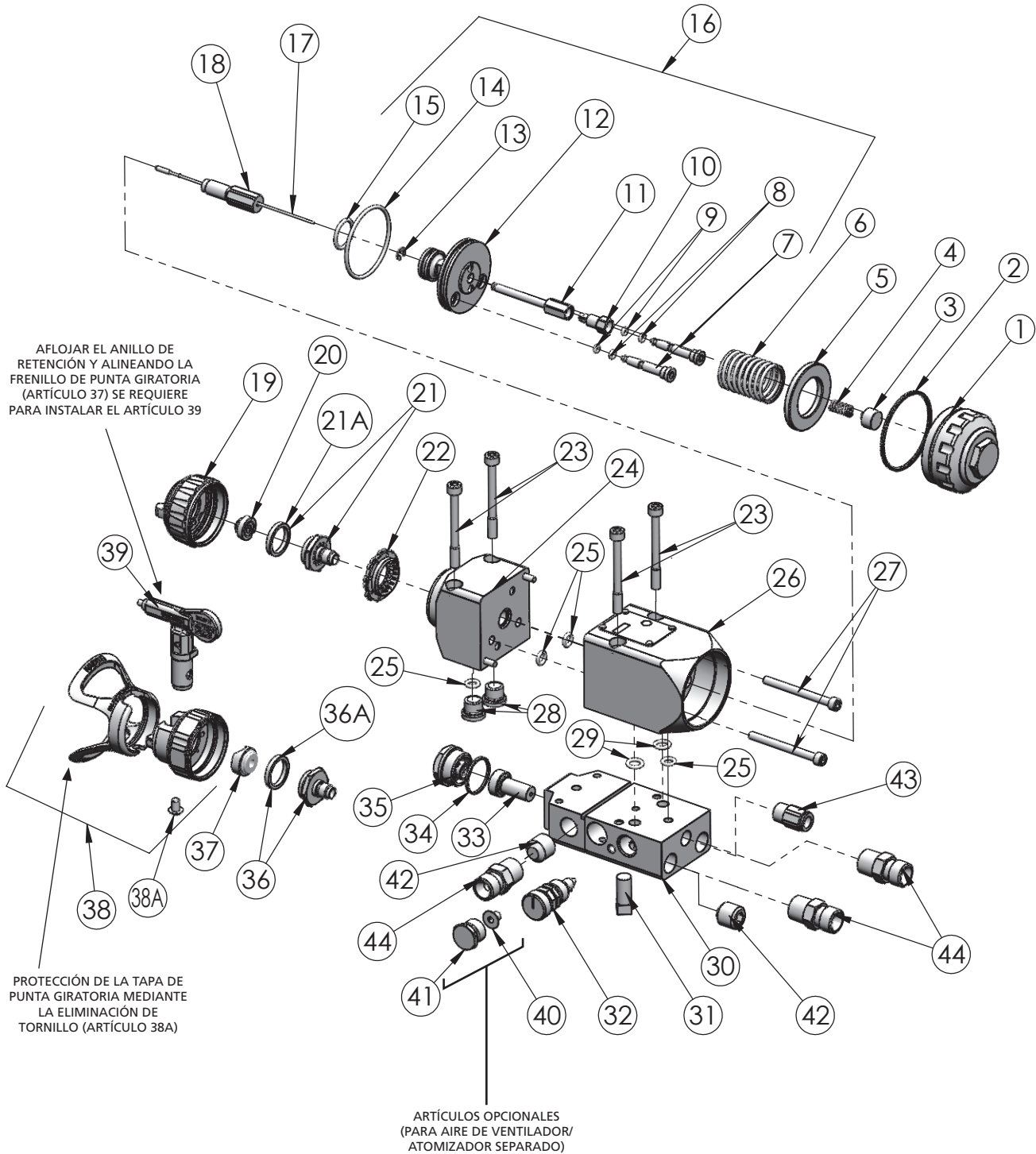
Para pulverización HVLP, la función de ajuste del ventilador requiere 14 psi máx. de presión de aire. (20 psi máx. De punta giratoria HVLP.) Para pulverización LVMP, ajuste ventilador requiere aproximadamente 20-30 psi de presión de entrada de aire. Mayor presión del fluido requiere mayores presiones de entrada de aire para acomodar el ajuste de patrones.

## SELECCIÓN DE PUNTA DE FLUIDO

Los factores a considerar en la selección de una boquilla de fluido de una pistola de pulverización sin aire asistida por aire incluyen (1) el tamaño de las piezas que se van a pulverizar; (2) la velocidad de la línea de producción; (3) la tasa de flujo del material y el espesor de la capa; (4) la viscosidad del material aplicado; (5) el tipo de material aplicado; y (6) la calidad de la atomización del

recubrimiento requerida. La selección de una punta de fluido necesaria para realizar un determinado trabajo de pulverización se determina mejor a través de una combinación de experimentación y asesoramiento técnico de los proveedores de sus materiales y equipos.

**PISTOLA PULVERIZADORA MAG II MONTADA EN COLECTOR  
CON HVLP ASISTIDA POR AIRE**



**PISTOLA PULVERIZADORA MAG II MONTADA EN COLECTOR CON HVLP ASISTIDA POR AIRE**
**LISTA DE PIEZAS**

Al ordenar, por favor, especifique el Número de Pieza.

Art.	Notas	Pieza	DESCRIPCIÓN	Cant
1		54-5908	TAPA TRASERA	1
2	●	20-6783	ANILLO	1
3		54-5910	ALOJAMIENTO DE RESORTE	1
4		54-5909	RESORTE DE RETORNO DE AGUJA	1
5	●		ANILLO DE IMPACTO DEL PISTÓN	1
6		54-5332	ANILLO DE RETORNO DEL PISTÓN	1
7	★	54-5318	VÁLVULA DE AIRE ATOMIZADO	2
8	★●	20-6785	ANILLO	2
9	★	20-6786	ANILLO	2
10	★	54-5387	TUERCA DE LA BOQUILLA DE SUJECCIÓN	1
11	★	54-5317	BOQUILLA	1
12	★		CUERPO DEL PISTÓN	1
13	★		E-CLIP	1
14	★●	20-6783	ANILLO	1
15	★●	20-6784	ANILLO	1
16		54-5380	ENSAMBLE DE PISTONES	1
17		54-5378	AGUJA DE FLUIDO, CARBURO DE TUNGSTENO	1
18		54-5376	ENSAMBLE DE CARTUCHOS DE FLUIDOS	
22		SPA-71-K5	PLACA DEFLECTORA (PAQUETE DE 5)	1
23		20-6789-K4	TORNILLOS (PAQUETE DE 4)	4
24		54-5901	CABEZAL DE LA PISTOLA	1
25	●	20-4615-5	ANILLO PTFE (PAQUETE DE 5)	4
26		54-5902	ALOJAMIENTO DEL PISTÓN AUTOMÁTICA	1
27		54-5333-K6	TORNILLO DE LA TAPA DE RETENCIÓN (PAQ. DE 6)	2
28		54-5326	TAPÓN DE PUERTO DEL COLECTOR DE FLUIDOS	2
29	●	20-3467	ANILLO, PTFE	2
30		54-5907	ENTRADA DEL COLECTOR DE AIRE/FLUIDOS	1
31		20-1359-1	TORNILLO, CABEZA CUADRADA	1
32		54-3720	ENSAMBLE DE PUERTO LATERAL	1
33		54-1835	FILTRO DE MALLA 100	1
34	●	20-5921	ANILLO	1
35		54-5340	ENSAMBLE DE RETENCIÓN DEL FILTRO	1

● Disponible como parte del Pquete de Reconstrucción 54-5307.

★ Ensamble de pistón 54-5380

Art	Notas	Pieza	DESCRIPCIÓN	Cant
<b>COMPONENTES DE PUNTA PLANA</b>				
19		54-5795-K	TAPA DE AIRE HVLP DE PUNTA PLANA c/ARO DE RETENCIÓN	1
20	■	114-XXXX	PUNTA AIRLESS (ACABADO FINO 9-XXXX-F)	1
21		54-5799-K	BOQUILLA DE FLUIDO c/EMPAQUE Y ASIENTO T.C.	1
21	* UHMW OPCIONAL	54-5811-K	BOQUILLA DE FLUIDO c/EMPAQUE Y ASIENTO UHMWPE	1
21A		SPA-98-K5	EMPAQUE (PAQ. DE 5 C/U)	REF.
<b>COMPONENTES DE PUNTA DE ROSCA</b>				
36		54-5832-K	ENSAMBLE DE BOQUILLAS DE FLUIDO (T.C.) c/EMPAQUE	1
36	* UHMW OPCIONAL	54-5833-K	BOQUILLA DE FLUIDO UHMW c/EMPAQUE	1
36A		SPA-98-K5	EMPAQUE (PAQ. DE 5 C/U)	REF.
37		54-7539-K2	ENSAMBLE DE FRENILLO DE PUNTA GIRATORIA (PAQ. DE 2)	1
38		54-5924-K	TAPA DE PUNTA GIRATORIA HVLP c/ANILLO DE RETENCIÓN	1
		54-5925-K	TAPA DE PUNTA GIRATORIA LVMP c/ANILLO DE RETENCIÓN	1
38A		54-5930	PUNTA GIRATORIA	1
39	■	9-XXX-75	GUARDIA DE TORNILLO DE PUNTA GIRATORIA	1
<b>* COMPONENTES OPCIONALES - POR SEPARADO</b>				
40		20-6748	TORNILLO	1
41		102-2839	TAPÓN DE PUERTO LATERAL	1
42		20-6131	TAPÓN, 1/4" NPT	2
43		54-4945-K10	CONECTOR DE TUBO, 1/8" NPT X TUBO DE 1/4" (PAQ. DE 10)	1
44		57-13	NIPLE D.M., 1/4" NPT X 1/4" NPS	2
		JGA-156-K10	GANCHO DEL RESORTE OPCIONAL PARA RETENER EL TAPA DE AIRE (NO MOSTRADO)	

■ Véase la tabla de la página 10 para ver los tamaños de punta.

\* Artículos no provistos - ordénelos por separado.

## SOLUCIÓN DE PROBLEMAS CON PATRONES DE PULVERIZACIÓN DEFECTUOSO

El siguiente procedimiento resume los pasos que un operador debe tomar de inmediato cuando emergen los primeros signos de un patrón de pulverización defectuoso.

1. Compruebe si hay o no acumulaciones en la parte externa de la boquilla de material. Si hay, asegure el interruptor de seguridad del gatillo de la pistola y limpie la punta del fluido de la pistola con un cepillo suave no metálico.
2. Si el patrón de pulverización muestra signos de colas en los extremos superior e inferior de la estructura, aumente la presión de aire poco a poco hasta hacer desaparecer las colas.
3. Si aumentar la presión de aire no disipa las colas, la punta de fluido puede estar gastada y puede ser necesario reemplazarla. Otra señal de la necesidad de reemplazar una boquilla desgastada es una disminución gradual del ancho del patrón de pulverización.
4. Si la limpieza o el remplazo de la boquilla no disipa las colas, el

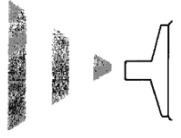



defecto en la pulverización es debido probablemente a la temperatura y/o la viscosidad del material.

5. Si se obtienen patrones con pulsaciones o intermitentes, revise los reguladores de presión, todos los reguladores aguas abajo, y la bomba, ya que pueden requerir más ajustes o reparaciones, incluso.



Figura 3

## SOLUCIÓN DE PROBLEMAS CON PATRONES DE PULVERIZACIÓN

PROBLEMA	CAUSA	ACCIÓN
<b>Patrón de pulverización intermitente</b> 	Suministro de fluido insuficiente.  Aire en la tubería de suministro de pintura.	Ajuste el regulador de fluido o llene los tanques de suministro de fluido. Revise y apriete las conexiones de las mangueras del sifón de la bomba, libere aire de la tubería de pintura.
<b>Líneas en la pulverización - Dedos</b> 	Punta parcialmente tapada.	Limpie o reemplace el ensamble de la punta.
<b>Patrón irregular attern</b> 	El fluido se acumula en la punta, o la punta está parcialmente tapada. Los agujeros de aire están tapados en el lado defectuoso del patrón.	Limpie la punta. Limpie los agujeros de aire con solvente y un cepillo suave.
<b>Patrón recargado hacia un lado, el mismo lado la tapa de aire se ensucia</b> 	Los agujeros de aire están tapados en el lado defectuoso del patrón.	Limpie los agujeros de aire con solvente y un cepillo suave o un moldadientes.

### NOTA REGULATORIA IMPORTANTE

La pistola pulverizadora MAG II montada en colector con HVLP Automática asistida por aire combina la eficacia probada de las pistolas compatibles con Binks con atomización asistida por aire para producir un pistola confiable y cuidadosamente diseñada. Con una manguera I.D. de sólo 25' de 5/16" y un regulador ajustado a sólo 15 p.s.i., la tapa de aire compatible registra 10 p.s.i. de aire de atomización para dar forma y suavizar el patrón de pulverizado. La pistola pulverizadora MAG II montada en colector con HVLP Automática asistida por aire funciona con una eficiencia de transferencia alta y cumple con todas las regulaciones gubernamentales para pistolas HVLP.

Entrada Max. de fluido:	4000 p.s.i.
Presión de aire estática Max. en el regulador con 25' de manguera a la entrada:	20 p.s.i.
Presión de aire en la entrada dinámica Max.:	15 p.s.i.
Cuerpo de la pistola:	Aluminio
Recorrido del fluido:	Aluminio recubierto de Nituff



## INSTRUCCIONES DE MANTENIMIENTO/SOLUCIÓN DE PROBLEMAS Y SERVICIO DE LA PISTOLA PULVERIZADORA MAG II ENSAMBLADA EN COLECTOR CON HVLP ASISTIDA POR AIRE

### NOTA

Desensamble la pistola y retire todos los anillos antes de sumergirla o someterla a un lavado por inmersión de solvente limpiador. El contacto con solventes puede producir que los anillos se hinchen más allá del tamaño de especificación y causar un mal funcionamiento de la pistola como consecuencia.

Use grasa a base de PTFE 41-4458 para lubricar los anillos y las piezas móviles antes de volver a montar en el cuerpo de la pistola.

A fin de proteger el medio ambiente, evite almacenar solventes o paños empapados en solvente, como los utilizados para la preparación de la superficie y la limpieza, en recipientes abiertos o absorbentes.

### SOLUCIÓN DE PROBLEMAS

Los números entre paréntesis se refieren a los artículos individuales que se muestran en el dibujo "en explosión" de la página 4.

### PRECAUCIÓN

Nunca utilice instrumentos metálicos para limpiar o raspar el líquido o la nariz de aire. Estas piezas han sido cuidadosamente mecanizadas y alterar su forma causará pulverizaciones defectuosas.

### PRECAUCIÓN

Nunca use lubricantes que contengan silicona, ya que estos lubricantes pueden causar defectos de acabado.

### ADVERTENCIA

Asegúrese de seguir todas las precauciones de seguridad descritas en la página 2 antes de trabajar en la pistola. Nunca trabaje en la pistola hasta que la presión del líquido haya sido liberada en todo el sistema y la fuente de alimentación o aire de la bomba de fluido haya sido desconectada. Siempre revise que la pistola reparada no tenga fugas de líquido con baja presión antes de su uso.

### SERVICIO / CAMBIO PUNTA PLANA DEL CABEZAL DE AIRE, PUNTA DE CARBURO Y ASIENTO FLUIDO

#### Síntomas de servicio (punta plana):

- *Acumulación de barniz en el cabezal de aire o punta de carburo obstruida.*
- *El ensamble de asiento de fluido no sella correctamente.*

1. Despresurice la pistola.
2. Gire el anillo de retención (19) en contra de las manecillas del reloj y retírelo.
3. Retire la tapa de aire (19) y el ensamble de la punta de carburo (20) del ensamble de asiento de fluido (21). Con la tapa de aire hacia arriba, aplique presión en punta de carburo (20) y retire de la tapa de aire (19).

4. Gire el ensamble de asiento de fluido (21) en contra de las manecillas del reloj y y retírelo.
5. Dé mantenimiento o reemplace y volver a montar en orden inverso.

### NOTA

La punta de carburo de líquido tiene que estar orientada correctamente en la tapa de aire. El perno de alineación en la tapa de aire debe estar colocado correctamente en la ranura de la punta de carburo.

### DAR SERVICIO/REEMPLAZAR LA TAPA DE AIRE DE LA PUNTA GIRATORIA, LA PUNTA GIRATORIA DE CARBURO Y EL ENSAMBLE DE ASIENTO DE FLUIDO

#### Síntomas de servicio (punta de rosca):

- *Acumulación de barniz en la tapa de aire*
- *Punta de rosca tapada.*

#### Acumulación de barniz:

1. Despresurice la pistola.
2. Retire la tapa de aire (38) de la pistola pulverizadora y lávela en solvente.
3. Vuelva a colocar la tapa de aire (38).

#### Punta de rosca tapada:

1. Dirija la pistola hacia el filtro y lejos de su cuerpo.
2. Gire la punta giratoria 180 grados para destapar la punta

### REEMPLAZAR EL CARTUCHO DE FLUIDO Y LA AGUJA DE FLUIDO

#### Síntomas de servicio:

- *Fuga de líquido del puerto de liberación*

1. Gire la tapa trasera (1) en contra de las manecillas del reloj y quite el resorte de retorno del pistón del alojamiento del pistón (26) y el resorte de retorno de la aguja (4).
2. Con dos llaves de 5/16" (no suministrada con la pistola), afloje la tuerca de la boquilla (10) de la boquilla (11).
3. Con un par de pinzas, tome la boquilla (11) y retire el ensamble del pistón (16).
4. Coloque la cavidad de 3/8" de profundidad (suministrada con la pistola) en el ensamble de cartuchos (18) y gire en contra de las manecillas del reloj.
5. Reemplace la aguja de fluido (17) o el ensamble de cartuchos de fluido (18) y volver a montar en orden inverso usando los nuevos componentes según sea necesario.

### NOTA

El ensamble del pistón (16) debe estar en el fondo del ensamble del pistón (26) con la boquilla (11) y la tuerca de seguridad (10) colocadas de tal modo que el e-clip (13) esté apoyado en el ensamble del pistón.

### NOTA

Si el pistón no se coloca correctamente, la coordinación fluido-aire no funcionará correctamente. Ver vista pictórica en la página 8.

6. Después de que el ensamble del pistón haya sido posicionado correctamente, apriete la tuerca (10) a la boquilla (11) con llave de tuercas.

### REEMPLAZAR LOS ANILLOS DEL ENSAMBLE DEL PISTÓN

#### Síntomas de servicio:

- *El aire de atomización no está circulando*
- *El aire no está accionando fluido*

1. Gire la tapa final (1) en contra de las manecillas del reloj y quite el resorte de retorno del pistón del alojamiento del pistón (26) y el resorte de retorno del pistón (4).
2. Con dos llaves de 5/16" (no suministrada con la pistola), afloje la tuerca de la boquilla (10) de la boquilla (11).
3. Con un par de pinzas, tome la boquilla (11) y retire el ensamble del pistón (16).
4. Reemplace los anillos (8, 9, 14 y 15) usando el Paquete de reparación de los anillos del pistón Estándar 54-5303 o el Paquete de reparación de los anillos del pistón de Alto Rendimiento 54-5307.
5. Aplique lubricante a base de PTFE 41-4458 provisto en los paquetes de reparación de los anillos y volver a montar en orden inverso.

### NOTA

El ensamble del pistón (16) debe estar en el fondo del ensamble del pistón (26) con la boquilla (11) y la tuerca de seguridad (10) colocadas de tal modo que el e-clip (13) esté apoyado en el ensamble del pistón.

### NOTA

Si el pistón no se coloca correctamente, la coordinación fluido-aire no funcionará correctamente. Ver vista pictórica en la página 8.

6. Después de que el ensamble del pistón haya sido posicionado correctamente, apriete la tuerca (10) a la boquilla (11) con llave de tuercas.

### DAR SERVICIO/REEMPLAZAR EL FILTRO

#### Síntomas de servicio:

- *La punta de fluido se está tapando o hay una restricción en el flujo de fluidos*

1. Con una llave de 3/4", gire el retenedor del filtro (35) en contra de las manecillas del reloj y retírelo.
2. Coloque un destornillador en el interior de la cavidad donde el filtro (33) se encuentra y quítelo levantándolo con el destornillador. Quite el filtro y límpielo o replácelo según sea necesario. La mayoría de las veces puede sacar el filtro con el dedo.
3. Vuelva a montar en orden inverso.

### NOTA

No se requiere sustituir el anillo (34) cuando se da servicio al filtro. Reemplace el anillo (34) si se produce alguna fuga alrededor del filtro de retención (35).

(continúa en la página 8)

## INSTRUCCIONES DE MANTENIMIENTO/SOLUCIÓN DE PROBLEMAS Y SERVICIO (CONTINUACIÓN)

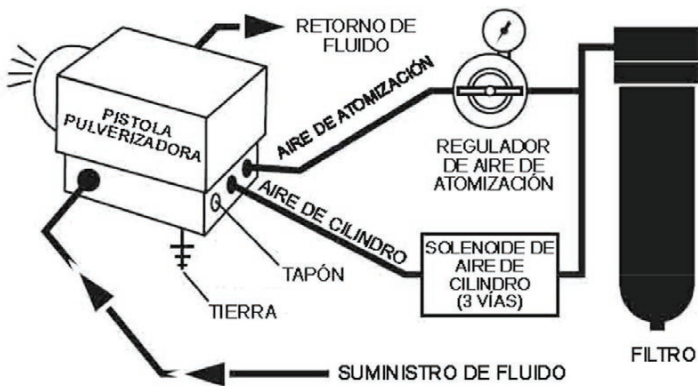
### EXTRACCIÓN/REPLAZO DEL MÓDULO DE ENSAMBLE DE LA PISTOLA SÓLO DESDE EL ENSAMBLE DEL COLECTOR DE ENTRADA

1. Con una llave Allen de 9/64" (suministrada con la pistola), gire el tornillo de la tapa de retención (23) en contra de las manecillas del reloj 4 vueltas y retire el submódulo de la pistola.
2. Ensamble el nuevo módulo de la pistola, apriete los tornillos de retención (23) con llave de tuercas. Esto permitirá que los conductos de fluido y de aire se sellen sin contaminación.

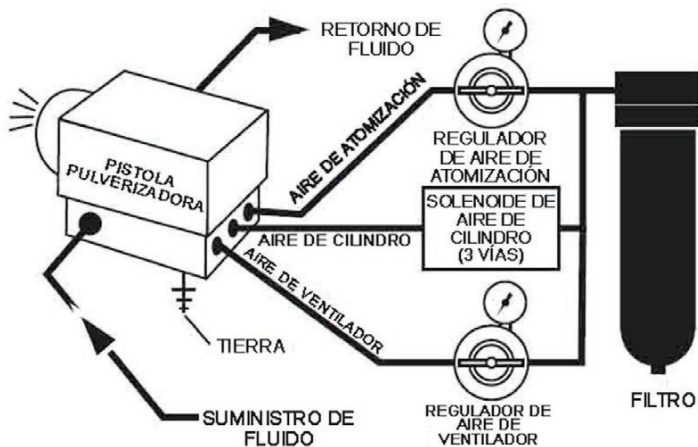
**NOTA**  
Los anillos (25 y 29) se deben reemplazar cuando se reemplaza el submódulo de la pistola.

### CONEXIONES DE MANGUERA DE LA MAG II CON HVLP AUTOMÁTICA

#### CONEXIONES DE MANGUERA CON AIRE DE ATOMIZACIÓN/VENTILADOR COMBINADOS



#### CONEXIONES DE MANGUERA CON AIRE DE ATOMIZACIÓN/VENTILADOR SEPARADOS (PARA APLICACIONES CON PUNTA PLANA SOLAMENTE)



## POSICIONAMIENTO DEL PISTÓN DE LA MAG II CON HVLP AUTOMÁTICA

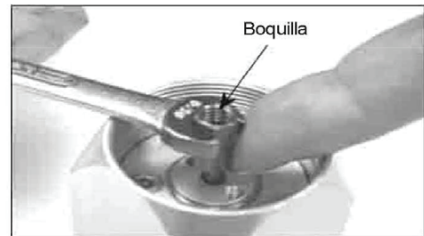
Instale el ensamble del pistón en el alojamiento del pistón. Asegúrese de que todos los anillos estén bien lubricados con lubricante a base de PTFE 41-4458 suministrado con los paquetes de reparación de los anillos.



El ensamble del pistón debe estar en el fondo del alojamiento del pistón (aproximadamente 5/8" de la parte superior del alojamiento del pistón).



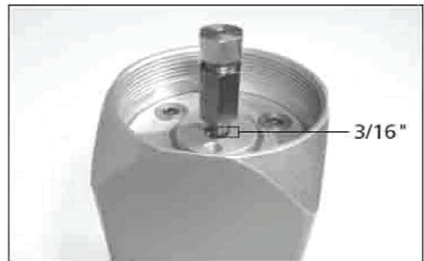
Levante la boquilla hasta que se detenga y mantenga en posición vertical mientras inserta una llave de 5/16" en la boquilla.



Inserte y apriete la boquilla con una tuerca de boquilla usando una segunda llave 5/16" y apriete.

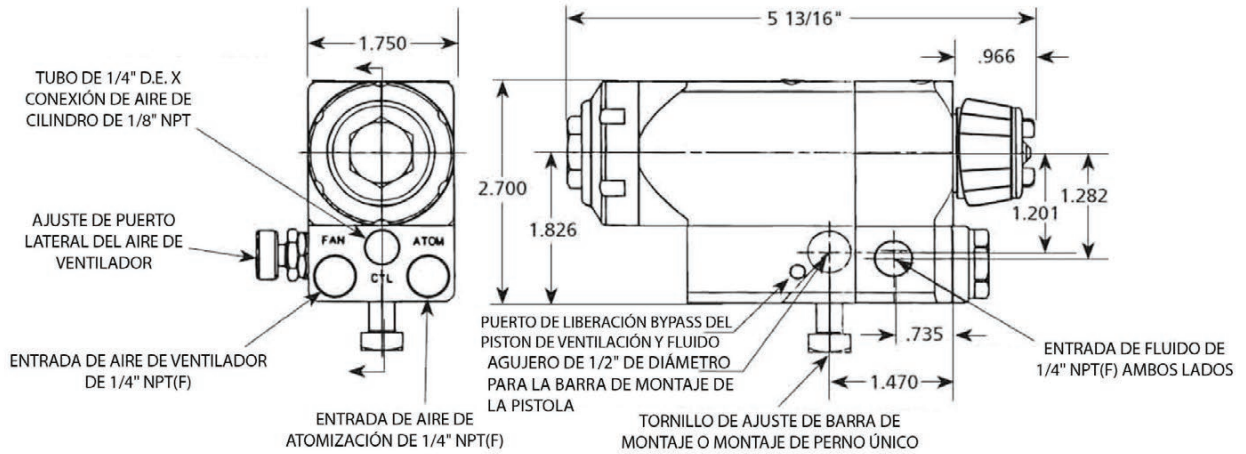


Si está bien ensamblado, el fondo de la boquilla debe estar a 3/16" de la parte superior del pistón.



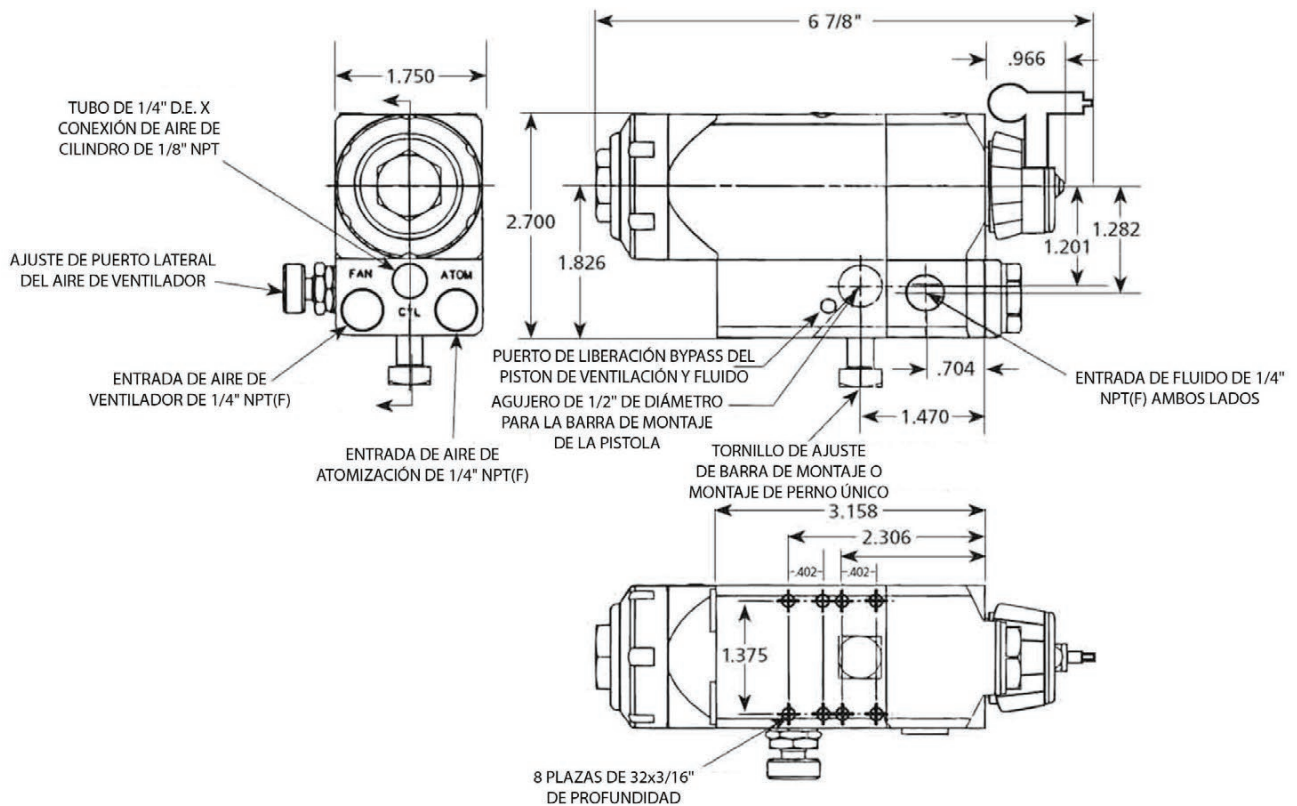
**NOTA**  
La pistola tendrá fuga si el pistón no está ajustado correctamente.

**ESPECIFICACIONES DE MONTAJE DE LA MAG II CON HVLP AUTOMÁTICA  
(PUNTA PLANA)**



**ESPECIFICACIONES DE PLACA DE MONTAJE**

**ESPECIFICACIONES DE MONTAJE DE LA MAG II CON HVLP AUTOMÁTICA  
(CON PUNTA GIRATORIA)**



**ESPECIFICACIONES DE PLACA DE MONTAJE**



## PISTOLA PULVERIZADORA MAG II MONTADA EN COLECTOR CON HVLP AUTOMÁTICA ASISTIDA POR AIRE

### TABLA DE SELECCIÓN DE PUNTA GIRATORIA

Ancho del ventilador basado en 2200 PSI con pintura de látex a 12" de la superficie. Los resultados reales pueden variar dependiendo de la viscosidad del material.

NÚMERO DE PIEZA	DESCRIPCIÓN	ORIFICIO	ANCHO VENTILADOR (PULG.)	CAPACIDAD GPM @2200 PSI
9-307-75	PUNTA GIRATORIA	0.007	6	0.05
9-309-75	PUNTA GIRATORIA	0.009	6	0.09
9-409-75	PUNTA GIRATORIA	0.009	8	0.09
9-509-75	PUNTA GIRATORIA	0.009	10	0.09
9-211-75	PUNTA GIRATORIA	0.011	4	0.12
9-311-75	PUNTA GIRATORIA	0.011	6	0.12
9-411-75	PUNTA GIRATORIA	0.011	8	0.12
9-511-75	PUNTA GIRATORIA	0.011	10	0.12
9-611-75	PUNTA GIRATORIA	0.011	12	0.12
9-213-75	PUNTA GIRATORIA	0.013	4	0.18
9-313-75	PUNTA GIRATORIA	0.013	6	0.18
9-413-75	PUNTA GIRATORIA	0.013	8	0.18
9-513-75	PUNTA GIRATORIA	0.013	10	0.18
9-613-75	PUNTA GIRATORIA	0.013	12	0.18
9-713-75	PUNTA GIRATORIA	0.013	14	0.18
9-215-75	PUNTA GIRATORIA	0.015	4	0.24
9-315-75	PUNTA GIRATORIA	0.015	6	0.24
9-415-75	PUNTA GIRATORIA	0.015	8	0.24
9-515-75	PUNTA GIRATORIA	0.015	10	0.24
9-615-75	PUNTA GIRATORIA	0.015	12	0.24
9-715-75	PUNTA GIRATORIA	0.015	14	0.24
9-317-75	PUNTA GIRATORIA	0.017	6	0.31
9-417-75	PUNTA GIRATORIA	0.017	8	0.31
9-517-75	PUNTA GIRATORIA	0.017	10	0.31
9-617-75	PUNTA GIRATORIA	0.017	12	0.31
9-717-75	PUNTA GIRATORIA	0.017	14	0.31
9-419-75	PUNTA GIRATORIA	0.019	8	0.38
9-519-75	PUNTA GIRATORIA	0.019	10	0.38
9-619-75	PUNTA GIRATORIA	0.019	12	0.38
9-521-75	PUNTA GIRATORIA	0.021	10	0.47
9-621-75	PUNTA GIRATORIA	0.021	12	0.47
9-523-75	PUNTA GIRATORIA	0.023	10	0.57
9-623-75	PUNTA GIRATORIA	0.023	12	0.57
9-525-75	PUNTA GIRATORIA	0.025	10	0.67
9-625-75	PUNTA GIRATORIA	0.025	12	0.67
9-627-75	PUNTA GIRATORIA	0.027	12	0.74
9-435-75	PUNTA GIRATORIA	0.035	8	1.31
9-631-75	PUNTA GIRATORIA	0.031	12	1.03
9-635-75	PUNTA GIRATORIA	0.035	12	1.31

### TABLA DE SELECCIÓN DE PUNTA DE ACABADO FINO

Ancho del ventilador basado en 1000 PSI con agua a 12" de la superficie. Los resultados reales pueden variar dependiendo de la viscosidad del material.

NÚMERO DE PIEZA	DESCRIPCIÓN	ORIFICIO	ANCHO VENTILADOR (PULG.)	CAPACIDAD GPM @500 PSI AGUA
9-0909-F	PUNTA ACABADO FINO	0.009	9	0.039
9-0911-F	PUNTA ACABADO FINO	0.009	11	0.039
9-1109-F	PUNTA ACABADO FINO	0.011	9	0.06
9-1111-F	PUNTA ACABADO FINO	0.011	11	0.06
9-1113-F	PUNTA ACABADO FINO	0.011	13	0.06
9-1115-F	PUNTA ACABADO FINO	0.011	15	0.06
9-1309-F	PUNTA ACABADO FINO	0.013	9	0.09
9-1311-F	PUNTA ACABADO FINO	0.013	11	0.09
9-1313-F	PUNTA ACABADO FINO	0.013	13	0.09
9-1315-F	PUNTA ACABADO FINO	0.013	15	0.09
9-1509-F	PUNTA ACABADO FINO	0.015	9	0.12
9-1511-F	PUNTA ACABADO FINO	0.015	11	0.12
9-1513-F	PUNTA ACABADO FINO	0.015	13	0.12
9-1515-F	PUNTA ACABADO FINO	0.015	15	0.12
9-1517-F	PUNTA ACABADO FINO	0.015	17	0.12
9-1709-F	PUNTA ACABADO FINO	0.017	9	0.16
9-1711-F	PUNTA ACABADO FINO	0.017	11	0.16
9-1713-F	PUNTA ACABADO FINO	0.017	13	0.16
9-1715-F	PUNTA ACABADO FINO	0.017	15	0.16
9-1717-F	PUNTA ACABADO FINO	0.017	17	0.16

### TABLA DE SELECCIÓN DE PUNTA ESTÁNDAR

Ancho del ventilador basado en 1000 PSI con agua a 12" de la superficie. Los resultados reales pueden variar dependiendo de la viscosidad del material.

NÚMERO DE PIEZA	DESCRIPCIÓN	ORIFICIO	ANCHO VENTILADOR (PULG.)	CAPACIDAD GPM @500 PSI AGUA
114-00702	ENSAMBLE DE PUNTA	.007	2	.028
114-00704	ENSAMBLE DE PUNTA	.007	4	.028
114-00706	ENSAMBLE DE PUNTA	.007	6	.028
114-00708	ENSAMBLE DE PUNTA	.007	8	.028
114-00902	ENSAMBLE DE PUNTA	.009	2	.039
114-00906	ENSAMBLE DE PUNTA	.009	6	.039
114-00908	ENSAMBLE DE PUNTA	.009	8	.039
114-00910	ENSAMBLE DE PUNTA	.009	10	.039
114-00912	ENSAMBLE DE PUNTA	.009	12	.039
114-01104	ENSAMBLE DE PUNTA	.011	4	.060
114-01106	ENSAMBLE DE PUNTA	.011	6	.060
114-01108	ENSAMBLE DE PUNTA	.011	8	.060
114-01110	ENSAMBLE DE PUNTA	.011	10	.060
114-01112	ENSAMBLE DE PUNTA	.011	12	.060
114-01114	ENSAMBLE DE PUNTA	.011	14	.060
114-01304	ENSAMBLE DE PUNTA	.013	4	.090
114-01306	ENSAMBLE DE PUNTA	.013	6	.090
114-01308	ENSAMBLE DE PUNTA	.013	8	.090
114-01310	ENSAMBLE DE PUNTA	.013	10	.090
114-01312	ENSAMBLE DE PUNTA	.013	12	.090
114-01314	ENSAMBLE DE PUNTA	.013	14	.090
114-01316	ENSAMBLE DE PUNTA	.013	16	.090
114-01506	ENSAMBLE DE PUNTA	.015	6	.120
114-01508	ENSAMBLE DE PUNTA	.015	8	.120
114-01510	ENSAMBLE DE PUNTA	.015	10	.120
114-01512	ENSAMBLE DE PUNTA	.015	12	.120
114-01514	ENSAMBLE DE PUNTA	.015	14	.120
114-01516	ENSAMBLE DE PUNTA	.015	16	.120
114-01518	ENSAMBLE DE PUNTA	.015	18	.120
114-01706	ENSAMBLE DE PUNTA	.017	6	.160
114-01708	ENSAMBLE DE PUNTA	.017	8	.160
114-01710	ENSAMBLE DE PUNTA	.017	10	.160
114-01712	ENSAMBLE DE PUNTA	.017	12	.160
114-01714	ENSAMBLE DE PUNTA	.017	14	.160
114-01716	ENSAMBLE DE PUNTA	.017	16	.160
114-01718	ENSAMBLE DE PUNTA	.017	18	.160
114-01906	ENSAMBLE DE PUNTA	.019	6	.190
114-01908	ENSAMBLE DE PUNTA	.019	8	.190
114-01910	ENSAMBLE DE PUNTA	.019	10	.190
114-01912	ENSAMBLE DE PUNTA	.019	12	.190
114-01914	ENSAMBLE DE PUNTA	.019	14	.190
114-01916	ENSAMBLE DE PUNTA	.019	16	.190
114-01918	ENSAMBLE DE PUNTA	.019	18	.190
114-02110	ENSAMBLE DE PUNTA	.021	10	.240
114-02112	ENSAMBLE DE PUNTA	.021	12	.240
114-02114	ENSAMBLE DE PUNTA	.021	14	.240
114-02116	ENSAMBLE DE PUNTA	.021	16	.240
114-02118	ENSAMBLE DE PUNTA	.021	18	.240
114-02410	ENSAMBLE DE PUNTA	.024	10	.310
114-02412	ENSAMBLE DE PUNTA	.024	12	.310
114-02414	ENSAMBLE DE PUNTA	.024	14	.310
114-02416	ENSAMBLE DE PUNTA	.024	16	.310
114-02418	ENSAMBLE DE PUNTA	.024	18	.310
114-02710	ENSAMBLE DE PUNTA	.027	10	.385
114-02712	ENSAMBLE DE PUNTA	.027	12	.385
114-02714	ENSAMBLE DE PUNTA	.027	14	.385
114-02716	ENSAMBLE DE PUNTA	.027	16	.385
114-02718	ENSAMBLE DE PUNTA	.027	18	.385

#### NOTA DE PUNTA GIRATORIA

Quando cambie de una punta plana a una giratoria, incremente el tamaño del patrón 2 pulgadas y use el ajuste de aire para bajarlo al tamaño deseado.

## PISTOLA PULVERIZADORA MAG II ENSAMBLADA EN COLECTOR CON HVLP AUTOMÁTICA ASISTIDA POR AIRE

### DESIGNACIÓN DE LA MAG II

**0511 - - H - - 0**

PISTOLA PULVERIZADORA MAG II

0 = SIN COLECTOR  
M = CON COLECTOR

HVLP

F = PUNTA PLANA  
T = PUNTA GIRATORIA

### CÓMO ORDENAR LA PISTOLA PULVERIZADORA MAG II SIN COLECTOR

- 0511-0HF0** Pistola Pulverizadora Mag II con HVLP Automática SIN COLECTOR, (Punta plana)  
**0511-0HT0** Pistola Pulverizadora Mag II con HVLP Automática SIN COLECTOR, (Punta giratoria)

*Las puntas de pulverización se deben pedir por separado. Use la tabla de selección de las puntas de pulverización para determinar el tamaño de orificio y de ventilador requeridos.*

### PAQUETES DE REPARACIÓN, LIMPIEZA Y MONTAJE

NO. PIEZA	DESCRIPCIÓN
54-4994	Paquete de limpieza: incluye un cepillo de limpieza de pipas de nylon duro estándar, un cepillo de nylon de tamaño completo, limpiador de puntas, y Lubricante Mate de Pistolas de Binks
54-5303	Paquete de Sello de Rendimiento Estándar (opcional)
54-5396	Paquete de Reparación de Boquilla de Pistón
54-5307	Paquete de Sello de Rendimiento Alto (estándar con la pistola)
54-5399	Paquete de Adaptador CEFLA de Perno Único

### FILTRO DE FLUIDO

NO. PIEZA	DESCRIPCIÓN
54-1835	Pantalla de Filtro de Malla 100

### ACCESORIOS

NO. PIEZA	DESCRIPCIÓN
41-4458	Lubricante de anillos de PTFE
54-5932-K	Paquete de prueba de tapas de aire HVLP de punta giratoria
54-5837-K	Paquete de prueba de tapas de aire HVLP de punta plana
54-380	Soporte de ensamble de pistola

### CÓMO ORDENAR LA PISTOLA PULVERIZADORA MAG II CON COLECTOR

- 0511-MHF0** Pistola Pulverizadora Mag II con HVLP Automática CON COLECTOR, (Punta plana)  
**0511-MHT0** Pistola Pulverizadora Mag II con HVLP Automática CON COLECTOR, (Punta giratoria)

*Las puntas de pulverización se deben pedir por separado. Use la tabla de selección de las puntas de pulverización para determinar el tamaño de orificio y de ventilador requeridos.*

### COMPONENTES DE PUNTA PLANA

NO. PIEZA	DESCRIPCIÓN
54-5799-K	ASIENTO DE FLUIDO, CARBURO DE TUNGSTENO c/EMPAQUE
54-5811-K	ASIENTO DE FLUIDO, UHMPE c/EMPAQUE (OPCIONAL)
SPA-98-K5	EMPAQUE (PAQUETE DE 5)
114-XXXXX	PUNTA PLANA
9-XXXX-F	PUNTA PLANA (ACABADO FINO)
54-5795-K	PAQUETE DE TAPA DE AIRE HVLP DE PUNTA PLANA
54-5797-K	PAQUETE DE TAPA DE AIRE LVMP DE PUNTA PLANA
54-5852	ANILLO DE RETENCIÓN
54-5794	PUNTA PLANA

### COMPONENTES DE PUNTA GIRATORIA

NO. PIEZA	DESCRIPCIÓN
54-5732-K	ASIENTO DE FLUIDO DE PUNTA GIRATORIA, CARBURO DE TUNGSTENO c/EMPAQUE
54-5833-K	ASIENTO DE FLUIDO DE PUNTA GIRATORIA, UHMPE c/EMPAQUE
9-XXX-75	PUNTA GIRATORIA
54-7539-K2	FRENO DE PUNTA GIRATORIA (PAQUETE DE 2)
54-5924-K	PAQUETE DE PUNTA DE AIRE HVLP DE PUNTA GIRATORIA
54-5925-K	PAQUETE DE PUNTA DE AIRE LVMP DE PUNTA GIRATORIA
54-5928	ANILLO DE RETENCIÓN
54-5921	RESGUARDO DE PUNTA GIRATORIA
SPA-98-K5	EMPAQUE (PAQUETE DE 5)



---

## **GARANTÍA**

Este producto está cubierto por la Garantía Limitada por 1 Año de Binks.

---

**Centros de venta y servicios de Binks: [www.binks.com](http://www.binks.com)**

---

***BINKS***

Servicio al Cliente en EE.UU./Canadá  
195 Internationale Blvd.  
Glendale Heights, IL 60139 EE.UU.  
630-237-5000

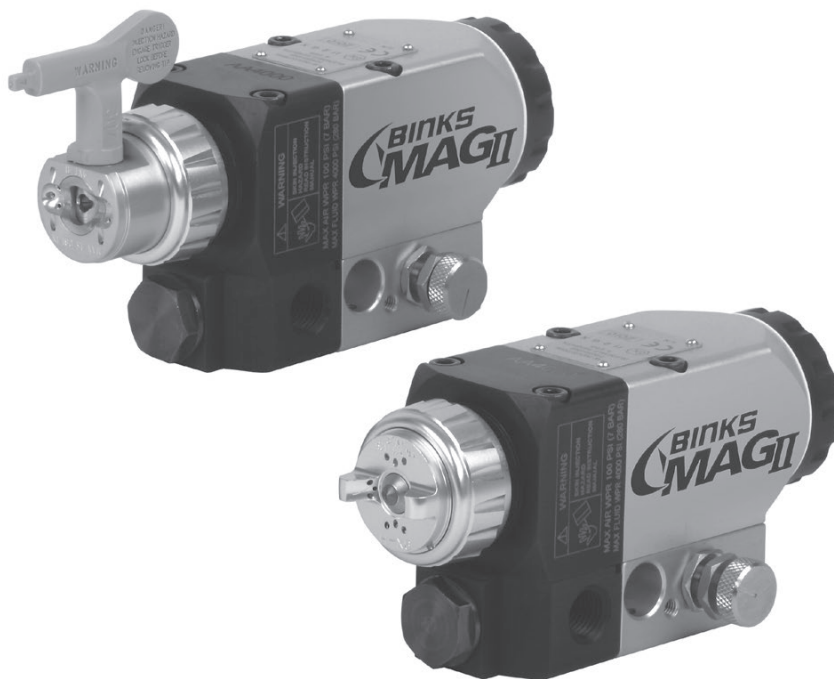
Teléfono gratuito de servicio al  
cliente y servicio técnico  
800-992-4657  
Fax gratuito  
888-246-5732

# BINKS®

# PISTOLET PULVÉRISATEUR AUTOMATIQUE MAG II À PEINTURE À BASSE PRESSION (HVLP) SANS AIR COMPRIMÉ ET AIR-ASSISTÉ (REVÊTEMENTS UV ET CONVENTIONNELS) 0511-OHF0, 0511-OHT0, 0511-MHF0, 0511-MHT0

Les instructions suivantes fournissent les renseignements nécessaires au bon fonctionnement et à l'entretien préventif du pistolet pulvérisateur HVLP automatique MAG II à collecteur, sans air comprimé et air-assisté de Binks. Lire et bien comprendre toutes les instructions figurant dans ce document afin d'obtenir une performance optimale du nouveau pistolet pulvérisateur MAG II.

Avec le pistolet pulvérisateur HVLP automatique MAG II, la peinture ou les autres produits à pulvériser sont atomisés et projetés par le pointeau en carbure avec une pression type de liquide comprise entre 1 500-3 800 psi (avec capacités jusqu'à 4 000 psi/275 bars). L'atomisation, ainsi que la forme définitive du jet produit par le capuchon d'air, produit une pulvérisation exceptionnellement fine et régulière. Le résultat obtenu avec ce type de jet est un fini régulier parfaitement adapté aux produits nécessitant une finition de qualité exceptionnelle avec réduction des excès de projection et des émissions de composés organiques volatils.



SPÉCIFICATIONS :	
Pression d'air maximale :	100 psi/6,8 bars
Embout Rotatif HVLP : 20 psi pression d'entrée est de 10 psi de pression du chapeau d'air pour un volume d'air de 5 pi <sup>3</sup> /m	
Embout Plat HVLP : 5 psi pression d'entrée est de 10 psi de pression du chapeau d'air pour un volume d'air de 8 pi <sup>3</sup> /m	
Pression max. de liquide :	4000 psi/275 bars
Min./Max. Pression d'activation du cylindre :	50 psi/3,4 bars (min.), 100 psi/6,8 bars (max.)
Corps du pistolet :	Acier inoxydable, aluminium
Passage de liquides :	Aluminium à revêtement Nituff
Type de système d'arrêt du produit :	Siège en carbure de tungstène
Dimensions de l'arrivée et de la sortie du produit :	Filet NPT ¼ po (F)
Diamètre de l'arrivée d'air :	<b>Air d'atomisation :</b> Corps du collecteur NPT 1/4 po (F) <b>Air du jet :</b> Corps du collecteur 1/4 po NPT(F) <b>Air du cylindre :</b> Corps du collecteur NPT 1/8 po :
Poids du pistolet :	1,8 lb/0, 816 kg
Orifice de montage du pistolet :	Diamètre 1/2 po

## REMARQUE

**Veillez à lire les avertissements à la page 2.**

Le pistolet pulvérisateur pistolet pulvérisateur HVLP automatique MAG II utilise une haute pression pour pulvériser les peintures et solvants. Étant donné que les liquides pulvérisés à haute pression peuvent provoquer des blessures, et en raison des risques de toxicité de certains solvants et peintures, ainsi que d'incendie dans certaines conditions, votre sécurité et celle de autres dépend de la lecture des renseignements figurant sur cette Fiche de pièces.

Pour toute question ou si certaine des informations présentées ici manquent de clarté, appeler le représentant de service le plus proche.

Remplace  
Fiche des pièces  
77-2949R-1

Fiche  
des pièces  
77-2949R-2

# ⚠ MISE EN GARDE

IL INCOMBE À L'EMPLOYEUR DE FOURNIR CES RENSEIGNEMENTS À L'OPÉRATEUR DE L'ÉQUIPEMENT.

POUR DE PLUS AMPLES RENSEIGNEMENTS CONCERNANT LE MATÉRIEL BINKS ET DEVLBISS,  
VOIR LA BROCHURE DE SÉCURITÉ GÉNÉRALE DE L'ÉQUIPEMENT (77-5300).



LE RÉSERVOIR SOUS HAUTE PRESSION PEUT ENTRAÎNER DE GRAVES BLESSURES SI LE MATÉRIEL EST MAL INSTALLÉ OU MAL UTILISÉ.

**BIEN LIRE, COMPRENDRE ET OBSERVER TOUTES LES MISES EN GARDE ET INSTRUCTIONS DE CE MANUEL.**

**NE FAIRE FONCTIONNER L'ÉQUIPEMENT QU'APRÈS AVOIR BIEN COMPRIS TOUTES LES INSTRUCTIONS.**

Dans cette fiche des pièces, les mots **MISE EN GARDE**, **ATTENTION**, et **REMARQUE** sont utilisés pour attirer l'attention sur des consignes de sécurité importantes comme suit :

**⚠ MISE EN GARDE**  
Dangers ou pratiques dangereuses pouvant entraîner de graves blessures corporelles, voire mortelles, ou d'importants dommages matériels.

**⚠ ATTENTION**  
Dangers ou pratiques peu sûres pouvant provoquer des blessures corporelles sans gravité, endommager le produit ou causer des dégâts matériels.

**REMARQUE**  
Information importante concernant l'installation, le fonctionnement et la maintenance.

## RISQUE D'INJECTION

Le produit pulvérisé par le pistolet, une fuite s'échappant d'un tuyau ou un composant défectueux peuvent transpercer la peau en injectant le liquide dans le corps et provoquant de graves blessures, y compris des empoisonnements et d'éventuelles amputations. Les projections de liquide dans les yeux ou sur la peau peuvent également provoquer de graves blessures.

- Le liquide injecté sous la peau peut ressembler à une banale coupure, mais il s'agit en fait d'une blessure grave qui doit être traitée comme telle. **CONSULTER UN MÉDECIN IMMÉDIATEMENT. INFORMER LE MÉDECIN DU TYPE DE PRODUIT INJECTÉ.**
- Ne pas diriger le pistolet pulvérisateur sur une personne ou une partie du corps.
- Ne pas mettre les doigts ni la main sur l'embout de pulvérisation.
- Ne pas tenter d'arrêter ou de détecter les fuites de liquide avec un chiffon, la main, le corps ou un gant.
- Ne pas utiliser de chiffon pour refouler le liquide. **CECI N'EST PAS UN PISTOLET PULVÉRISATEUR À AIR.**
- Enclencher la sécurité du pistolet lorsqu'il est inutilisé.
- **TOUJOURS PURGER LA PRESSION POUR TRAVAILLER SUR LE PISTOLET PULVÉRISATEUR.**
- Serrer tous les raccords concernant les liquides avant de faire fonctionner l'équipement.
- Vérifier quotidiennement tous les tuyaux, tubes et raccords. Remplacer les pièces usagées, endommagées ou desserrées immédiatement.

Les liquides dangereux et les fumées toxiques peuvent provoquer de graves blessures, voire la mort, en cas de projection sur la peau ou dans les yeux, d'ingestion ou d'inhalation.

## RISQUES LIÉS AUX LIQUIDES TOXIQUES

- Se renseigner sur les risques précis liés aux liquides utilisés. Ces renseignements figurent sur la fiche technique de la substance utilisée. Lire toutes les mises en garde du fabricant de liquide.
- Conserver les liquides dangereux dans des contenants approuvés uniquement. Éliminer tous les liquides dangereux conformément aux directives fédérales, nationales et régionales.
- Porter des vêtements de protection appropriés, des gants, des lunettes et un respirateur.

Le mauvais usage de l'équipement peut entraîner sa défaillance, un dysfonctionnement, ou un démarrage inattendu et provoquer de graves blessures.

## RISQUES LIÉS AU MAUVAIS USAGE DE L'ÉQUIPEMENT

- Cet équipement est destiné à des fins professionnelles uniquement.
- Bien lire et comprendre tous les manuels d'instructions, plaques et étiquettes avant de faire fonctionner l'équipement.

- Utiliser l'équipement uniquement aux fins auxquelles il est destiné. En cas de doute à ce sujet, communiquer avec le distributeur Binks local.
- Ne pas altérer ni modifier cet équipement. Utiliser uniquement des pièces d'origine Binks.
- Ne pas dépasser la pression de travail maximale du composant du système ayant la plus faible puissance nominale. **LA LIMITE MAXIMALE DU MAG II AUTOMATIQUE EST UNE PRESSION HYDROSTATIQUE DE 4000 PSI (275 BARS). NE PAS DÉPASSER LA CAPACITÉ DE PRESSION HYDROSTATIQUE.**
- Acheminer tous les tuyaux en les éloignant des bords coupants, des pièces en mouvement et des zones de grands passages.
- Ne pas tirer l'équipement par les tuyaux.
- Utiliser uniquement des tuyaux approuvés par Binks. Ne pas retirer les ressorts de protection des tuyaux. Ils sont là pour éviter toute rupture en cas de torsion aux connecteurs.
- Utiliser uniquement des solvants compatibles avec les tuyaux et les pièces mouillées de l'équipement utilisé.
- Se conformer à toutes les réglementations locales, fédérales et nationales en matière d'incendie, d'électricité et autres prescriptions sécuritaires applicables.

Les mises à la terre défectueuses, une mauvaise ventilation de l'air, les flammes nues ou les étincelles peuvent provoquer des situations dangereuses et entraîner des incendies ou explosions avec blessures graves.

## RISQUES D'INCENDIE ET D'EXPLOSION

- Mettre l'équipement et l'objet à peindre au pulvérisateur à la terre.
- Ventiler avec de l'air frais pour éviter l'accumulation de fumées inflammables provenant de la substance pulvérisée ou de solvants.
- Éteindre toutes les flammes nues ou les veilleuses dans la zone de pulvérisation.
- Débrancher tout le matériel électrique de la zone de vaporisation.
- Retirer tous les débris, y compris les chiffons imprégnés de solvants, de la zone de vaporisation.
- En cas d'étincelles statiques pendant l'utilisation du matériel, **CESSER DE PULVÉRISER IMMÉDIATEMENT.** Identifier et corriger le problème.

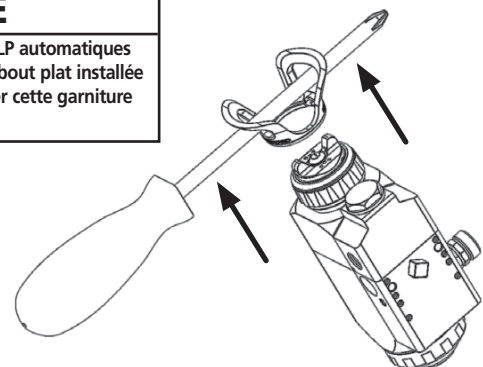
## NIVEAUX DE BRUIT

- Le niveau sonore pondéré A des pistolets pulvérisateurs peut dépasser 85 dB(A) selon l'installation utilisée. Il est recommandé de porter un dispositif de protection auditif en tout temps pour pulvériser un produit.

**PROPOSITION  
65  
DE CALIFORNIE**

**MISE EN GARDE DE LA PROPOSITION 65**  
MISE EN GARDE : Cet article contient des produits chimiques qui, dans l'état de Californie, sont connus pour provoquer cancers, malformations congénitales ou autres problèmes de reproduction.

**REMARQUE**  
Les pistolets pulvérisateurs embout plat HVLP automatiques Mag II sont livrés avec la garniture pour embout plat installée sur le capuchon d'air. Il est possible de retirer cette garniture avec un tournevis, comme illustré à droite.



**POUR PASSER DE LA COMBINAISON DE L'AIR DE JET ET AIR D'ATOMISATION COMBINÉS SUR AIR DE JET ET AIR D'ATOMISATION SÉPARÉS (EMBOUIT PLAT SEULEMENT)**

1. Retirer la commande du port latéral (32) en tournant dans le sens antihoraire avec une clé de 9/16.
2. Installer la vis de fixation (40) dans le filet au fond de la cavité filetée où se trouvait le port latéral.
3. Installer le bouchon du port latéral (41) dans la partie supérieure de la cavité filetée où se trouvait le port.

**PRÉPARATION À LA PULVÉRISATION**

Sécurité de la connexion.

Vérifier que le pistolet est mis à la terre conformément aux recommandations du fabricant pour un appareil automatique.

Raccordement du pistolet au tuyau de produit.

Le pistolet devrait être raccordé avec un tuyau à produit de 3/8 po de diamètre et d'une longueur adaptée, doté du connecteur adéquat à installer sur le filetage NPT 1/4 po femelle de la portion arrivée du produit du collecteur. Il est recommandé d'utiliser un tuyau de 1/4 po de diamètre pour les produits à faible viscosité. (Des tuyaux à liquides de composition différente sont disponibles pour des liquides spéciaux.)

Connexion de l'air d'atomisation au collecteur.

Les pistolets doivent être connectés avec un tuyau d'air de 5/16 po de diamètre, d'une longueur adaptée, doté d'un connecteur prévu pour un raccord NPS 1/4 po (m) et raccordé au port d'air d'atomisation.

Connexion entre le cylindre d'air et le collecteur.

Connecter le tuyau de D.E. 1/4 po au raccord du cylindre d'air situé sur le collecteur.

Contrôle du débit de liquide.

Lorsque l'alimentation se fait sous pression, l'augmentation de la pression de liquide augmente la vitesse du débit. L'embout de pulvérisation doit être adapté au débit souhaité pour le produit.

Réglage du jet de pulvérisation.

L'utilisation du réglage de la commande du port latéral permet de régler 30 de la plage du jet. Si le pistolet est réglé pour fonctionner avec une alimentation à distance du jet d'air, il est possible d'obtenir jusqu'à 40% de réduction du jet en augmentant la pression d'air au port du jet.

**REMARQUE**

Varie avec la viscosité du fluide.

**INSTRUCTIONS GÉNÉRALES DE PULVÉRISATION**

1. Prévoir au moins 55-60 psi (3,8 bars-4,1 bars) de pression d'air pour l'air de fonctionnement du cylindre d'air.
2. Pour réduire un jet trop important et obtenir une efficacité maximale, toujours pulvériser avec le moins de pression de liquide/d'air possible produisant un jet acceptable.
3. La conduite d'air raccordant le pistolet pulvérisateur à la vanne à trois voies doit être le plus courte possible pour assurer un fonctionnement rapide.
4. Tout l'air utilisé dans le pistolet doit être exempt de poussières et d'humidité. Pour cela, il convient d'utiliser un extracteur d'huile et d'eau.
5. Fermer toutes les conduites de produit et d'air vers le pistolet si celui-ci doit rester inactif pendant un certain laps de temps, quel qu'il soit. On évitera ainsi les dépôts ou accumulations de fuites minimes dans le système lors de la mise en marche du pistolet.
6. La distance entre le pistolet et la surface doit varier de 6 à 12 pouces (15 à 30 cm), en fonction du liquide et de la pression d'atomisation. Le produit déposé doit toujours être lisse et humide. Pour un fini uniforme, faire chevaucher la nouvelle couche sur la précédente.
7. Régler la pression de liquide de manière à obtenir un jet basse pression sans air, d'environ 300 à 500 psi (20,7 bars à 34,5 bars) et variera en fonction de la viscosité du fluide.
8. Ouvrir le bouton de réglage du port latéral.
9. Régler la pression d'atomisation à 5 psi (0,3 bar) et augmenter jusqu'à ce que les bavures soient éliminées du jet et qu'une bonne atomisation soit obtenue. S'il faut plus de 30 psi (2 bars) d'air d'atomisation, augmenter la pression du liquide plutôt que la pression d'atomisation. Si le motif de pulvérisation développe queues ou n'est pas uniforme, augmenter progressivement la pression d'air est nécessaire pour développer un modèle uniforme de pulvérisation. 14 psi est la pression maximale pour le chapeau HVLP embout plat (20 psi. Max pour le chapeau HVLP embout rotatif), ou utiliser 20-30 psi de pression d'air d'admission pour LVMP. L'embout plat HVLP et bouchons à vis à pointe d'air consomment 5-8 SCFM d'air à leurs pressions maximales respectives d'entrée d'air. L'embout plat LVMP et bouchons à vis à pointe d'air consomment 3-4 SCFM à 20-30 psi de pression d'air d'admission. L'air est utilisé pour faciliter l'atomisation du revêtement.
10. Remarque : Une pression de liquide/d'air excessive aura pour effet de déformer le jet de pulvérisation et de produire des surcharges. La formation de « sabliers » et de « bavures » dans les jets de pulvérisation indique une pression de liquide/d'air trop basse ou des liquides trop épais ou visqueux. Un embout usagé ou obstrué peut provoquer une déformation du jet de pulvérisation.

**REMARQUE**

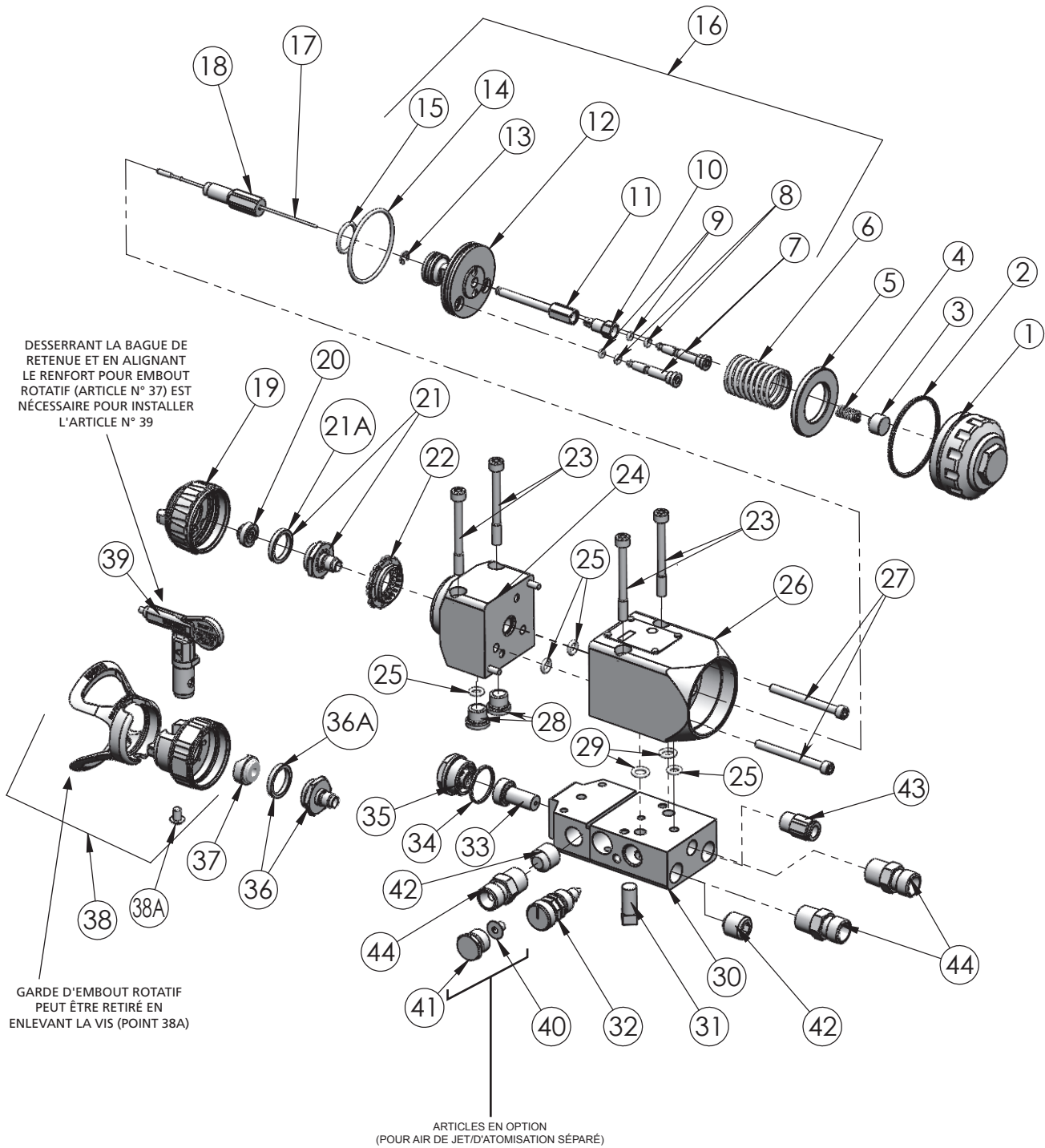
Pour HVLP, fonction de réglage du ventilateur nécessite 14 psi max. de pression d'air. (20 psi max. Pour l'embout rotatif HVLP.) Pour LVMP pulvérisation, réglage du ventilateur nécessite environ 20-30 psi de pression d'entrée d'air. Pression de fluide supérieure nécessite des pressions plus élevées d'entrée d'air pour accueillir de réglage du jet.

**SÉLECTION DE L'EMBOUIT DE PULVÉRISATION**

Les facteurs à prendre en compte dans la sélection de l'embout de pulvérisation d'un pistolet pulvérisateur sans air comprimé et air-assisté comprennent (1) la taille des pièces à pulvériser; (2) la cadence de la chaîne de production; (3) le débit du produit et l'épaisseur du film; (4) la viscosité du produit appliqué; (5) le type de produit appliqué; et (6) la qualité de

l'atomisation requise pour le revêtement. Pour sélectionner un embout de pulvérisation bien adapté au travail à réaliser, le plus simple est d'effectuer différents essais et de demander conseil auprès des fournisseurs de produits et de matériel.

**PISTOLET PULVÉRISATEUR HVLP AUTOMATIQUE MAG II AIR-ASSISTÉ  
ET MONTÉ SUR COLLECTEUR**





## PISTOLET PULVÉRISATEUR HVLP AUTOMATIQUE MAG II AIR-ASSISTÉ ET MONTÉ SUR COLLECTEUR

### LISTE DES PIÈCES

En commandant, préciser le numéro de pièce.

ARTICLE N°	REMARQUES	PIÈCE N°	DESCRIPTION	QTÉ.
1		54-5908	CAPUCHON ARRIÈRE	1
2	●	20-6783	JOINT TORIQUE	1
3		54-5910	BOÎTIER DU RESSORT	1
4		54-5909	RESSORT DE RAPPEL DE POINTEAU	1
5	●		GARNITURE D'IMPACT DU PISTON	1
6		54-5332	RESSORT DE RAPPEL DU PISTON	1
7	★	54-5318	SOUPAPE D'AIR D'ATOMISATION	2
8	★●	20-6785	JOINT TORIQUE	2
9	★	20-6786	JOINT TORIQUE	2
10	★	54-5387	ÉCROU DE DOUILLE DE SERRAGE	1
11	★	54-5317	DOUILLE DE SERRAGE	1
12	★		CORPS DU PISTON	1
13	★		AGRAFE EN E	1
14	★●	20-6783	JOINT TORIQUE	1
15	★●	20-6784	JOINT TORIQUE	1
16		54-5380	PISTON	1
17		54-5378	POINTEAU À PRODUIT, CARBURE DE TUNGSTÈNE	1
18		54-5376	ENSEMBLE DE CARTOUCHE À PRODUIT	
22		SPA-71-K5	DÉFLECTEUR (TROUSSE DE 5)	1
23		20-6789-K4	VIS (TROUSSE DE 4)	4
24		54-5901	TÊTE DE PISTOLET	1
25	●	20-4615-5	JOINT TORIQUE, PTFE (TROUSSE DE 5)	4
26		54-5902	LOGEMENT DE PISTON AUTOMATIQUE	1
27		54-5333-K6	VIS DE FIXATION DU CHAPEAU (TROUSSE DE 6)	2
28		54-5326	BOUCHON DU PORT DU COLLECTEUR DE PRODUIT	2
29	●	20-3467	JOINT TORIQUE, PTFE	2
30		54-5907	COLLECTEUR DE PRODUIT/ ARRIVÉE D'AIR	1
31		20-1359-1	VIS, TÊTE CARRÉE	1
32		54-3720	ENSEMBLE DE PORT LATÉRAL	1
33		54-1835	FILTRE À MAILLE 100	1
34	●	20-5921	JOINT TORIQUE	1
35		54-5340	ENSEMBLE PORTE-FILTRE	1

● Disponible dans le cadre de la trousse de réparations 54-5307.

★ 54-5380 PISTON

ARTICLE N°	REMARQUES	PIÈCE N°	DESCRIPTION	QTÉ.
<b>COMPOSANTS POUR EMBOUT PLAT</b>				
19		54-5795-K	CAPUCHON D'AIR HVLP À EMBOUT PLAT AVEC BAGUE DE RETENUE	1
20	■	114-XXXX	EMBOUT, SANS AIR (FINI FIN 9-XXXX-F)	1
21		54-5799-K	BUSE DE PRODUIT AVEC SIÈGE ET JOINT TORIQUE CARB. TUNGST.	1
21	UHMW EN OPTION*	54-5811-K	EMBOUT À PRODUIT AVEC SIÈGE UHMWPE ET JOINT TORIQUE	1
21A		SPA-98-K5	JOINT TORIQUE (PAQUET DE 5 CHACUN)	RÉF.

<b>COMPOSANTS POUR EMBOUT ROTATIF</b>				
36		54-5832-K	ENSEMBLE DE BUSE À PRODUIT (CARBURE DE TUNGSTÈNE) AVEC JOINT TORIQUE	1
36	UHMW EN OPTION*	54-5833-K	BUSE À PRODUIT UHMW AVEC JOINT TORIQUE	1
36A		SPA-98-K5	JOINT TORIQUE (PAQUET DE 5 CHACUN)	RÉF.
37		54-7539-K2	ENSEMBLE DE RENFORT POUR EMBOUT ROTATIF (TROUSSE DE 2)	1
38		54-5924-K	CAPUCHON D'AIR HVLP À EMBOUT ROTATIF AVEC BAGUE DE RETENUE	1
		54-5925-K	CAPUCHON D'AIR LVMP À EMBOUT ROTATIF AVEC BAGUE DE RETENUE	1
38A		54-5930	VIS DE GARDE EMBOUT ROTATIF	1
39	■	9-XXX-75	EMBOUT ROTATIF	1

<b>* COMPOSANTS EN OPTION – COMMANDER SÉPARÉMENT</b>				
40		20-6748	VIS	1
41		102-2839	BOUCHON DE PORT LATÉRAL	1
42		20-6131	BOUCHON, NPT 1/4 PO	2
43		54-4945-K10	CONNECTEUR DE TUYAU, TUYAU NPT 1/8 PO X 1/4 PO (TROUSSE DE 10)	1
44		57-13	MAMELON D.M., NPT 1/4 PO X NPS 1/4 PO	2
		JGA-156-K10	CLIP À RESSORT EN OPTION POUR MAINTENIR LE CHAPEAU D'AIR (NON REPRÉSENTÉ)	

■ Voir tableau page 10 pour les tailles d'embouts disponibles.

\* Articles non fournis – commander séparément.

## IDENTIFICATION ET CORRECTION DES JETS DE PULVÉRISATION DÉFECTUEUX

La procédure suivante résume les étapes que l'opérateur doit suivre immédiatement dès l'apparition des premiers signes d'un défaut de pulvérisation.

1. Vérifier qu'il n'y a pas de dépôts de produit sur la portion externe de l'embout. En cas de dépôts, enclencher la sécurité de la gâchette du pistolet et nettoyer l'embout à produit du pistolet avec une brosse souple non métallique.
2. Si la forme du jet présente des cornes en haut ou en bas, augmenter graduellement la pression d'air jusqu'à ce que ces cornes disparaissent.
3. Si l'augmentation de la pression d'air ne fait pas disparaître les cornes, il est possible que l'embout soit usagé et qu'il ait besoin d'être remplacé. L'autre signe indiquant qu'il est nécessaire de remplacer l'embout est une diminution graduelle de la largeur du jet de

pulvérisation.

4. Si le nettoyage ou le remplacement de l'embout à produit ne dissipe pas les bavures, le défaut de pulvérisation est plus vraisemblablement dû à la température et/ou viscosité du produit.
5. Si la projection est hachée ou irrégulière, vérifier les régulateurs de pression, tous les régulateurs en aval et la pompe. Ils peuvent nécessiter des réglages supplémentaires, voire même des réparations.

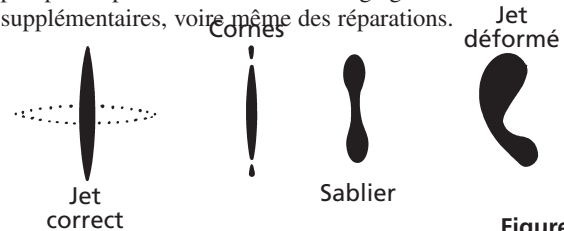


Figure 3

## DÉPANNAGE – PROBLÈMES DE JET

<p><b>Jet vacillant</b></p>	<p>Alimentation en produit insuffisante.</p> <p>Présence d'air dans la conduite d'alimentation en peinture.</p>	<p>Ajuster le régulateur de produit ou remplir le réservoir d'alimentation en liquide.</p> <p>Vérifier et resserrer les raccords des tuyaux du siphon de la pompe, purger l'air de la conduite de peinture.</p>
<p><b>Jet à rayures – Festons</b></p>	<p>Embout partiellement obstrué.</p>	<p>Nettoyer ou remplacer l'embout.</p>
<p><b>Jet irrégulier</b></p>	<p>Accumulation de liquide sur l'embout, ou embout partiellement obstrué.</p> <p>Du côté défectueux du jet, les orifices du croisillon de diffusion d'air sont encrassés</p>	<p>Nettoyer les orifices du croisillon de diffusion avec du solvant et une brosse souple.</p>
<p><b>Répartition plus importante du jet d'un côté, le même que celui où le chapeau d'air s'encrasse</b></p>	<p>Du côté défectueux du jet, les orifices du croisillon de diffusion d'air sont encrassés</p>	<p>Nettoyer les orifices du croisillon de diffusion avec du solvant, une brosse souple ou un cure-dent.</p>

## AVIS RÉGLEMENTAIRE IMPORTANT

Le pistolet pulvérisateur HVLP automatique MAG II à air-assisté et monté sur collecteur associe l'efficacité éprouvée des pistolets pulvérisateurs conformes aux normes Binks avec atomisation à air-assistée pour donner un pistolet pulvérisateur aux normes, fiable et soigneusement conçu. Avec un tuyau d'air de 25 pieds (7,5 m) et 5/16 po de D.I. et un régulateur réglé à seulement 15 psi, le chapeau d'air conforme enregistre 10 psi d'air d'atomisation et adoucit le jet de pulvérisation. Le pistolet pulvérisateur HVLP automatique MAG II à air-assisté et monté sur collecteur fonctionne avec un transfert d'une grande efficacité et est entièrement conforme à toutes les réglementations gouvernementales pour les pistolets pulvérisateurs HVLP.

Arrivée max. de liquide : 4 000 psi (6,2 bars)  
 Pression statique max. au régulateur avec 25 pieds (7,5 m) de tuyau à l'arrivée : 20 psi (6,2 bars)  
 Pression dynamique max. à l'arrivée d'air du pistolet : 15 psi (6,2 bars)  
 Corps du pistolet : Aluminium  
 Passage de liquides : Aluminium à revêtement Nituff

# PISTOLET PULVÉRISATEUR HVLP AUTOMATIQUE MAG II AIR-ASSISTÉ ET MONTÉ SUR COLLECTEUR INSTRUCTIONS DE MAINTENANCE/DÉPANNAGE ET RÉPARATIONS

## REMARQUE

Démonter le pistolet pulvérisateur et retirer les joints toriques avant d'immerger le pistolet ou de le laver avec un solvant nettoyant. Le contact avec les solvants peuvent provoquer le gonflement des joints toriques au-delà des dimensions spécifiées et provoquer un dysfonctionnement du pistolet.

Utiliser la graisse à base de PTFE 41-4458 pour lubrifier tous les joints toriques et les pièces mobiles avant de les remonter dans le corps du pistolet.

Pour mieux protéger l'environnement, éviter de ranger les solvants et les essuie-tout imbibés de solvants, tels ceux utilisés pour la préparation et le nettoyage de surfaces, dans des contenants ouverts ou absorbants.

## GUIDE DE DÉPANNAGE

Les chiffres entre parenthèses font référence aux articles individuels illustrés dans la vue éclatée de la page 4.

## ⚠ ATTENTION

Ne jamais utiliser d'instruments métalliques pour nettoyer ou gratter du produit ou des buses d'air. Ces pièces ont été soigneusement usinées et toute altération de leur forme provoquera des jets défectueux.

## ⚠ ATTENTION

Ne jamais utiliser de lubrifiants à base de silicone étant donné qu'ils provoquent des défauts de finition.

## ⚠ MISE EN GARDE

Veiller à suivre toutes les mesures de sécurité décrites en page 3 avant de travailler avec le pistolet pulvérisateur. Ne jamais travailler sur le pistolet pulvérisateur tant que la pression de liquide n'a pas été purgée dans le système et que l'alimentation de courant ou d'air pour la pompe de produit n'a pas été débranchée. Toujours tester les fuites éventuelles sur un pistolet réparé avec du liquide à basse pression avant l'emploi.

## ENTRETIEN ET RÉPARATIONS/ REPLACEMENT CAPUCHON D'AIR À EMBOUIT PLAT, POINTEAU EN CARBURE ET SIÈGE DE PRODUIT

**Symptômes nécessitant un entretien/une réparation (embout plat) :**

- Accumulation de dépôts sur le capuchon d'air ou pointeau en carbure obstrué
- Le siège de produit n'est pas parfaitement étanche

1. Dépressuriser le pistolet pulvérisateur.
2. Tourner la bague de retenue (19) dans le sens antihoraire et la retirer.
3. Retirer le capuchon d'air (19) et le pointeau au carbure (20) du siège de produit (21). Avec le capuchon d'air dirigé vers le haut, appliquer une pression sur le pointeau au carbure (20) et le retirer du capuchon d'air (19).
4. Tourner le siège de produit (21) dans le sens antihoraire et le retirer.
5. Réparer ou remplacer et remonter dans l'ordre inverse.

## REMARQUE

Le pointeau à produit en carbure doit être correctement orienté dans le capuchon d'air. La broche d'alignement dans le capuchon d'air doit être correctement positionnée dans le logement du pointeau au carbure.

## ENTRETIEN ET RÉPARATIONS/ REPLACEMENT CAPUCHON D'AIR À EMBOUIT ROTATIF, POINTEAU EN CARBURE ET SIÈGE DE PRODUIT

**Symptômes nécessitant un entretien/une réparation (embout rotatif) :**

- Accumulation de dépôts sur le capuchon d'air
- Embout rotatif obstrué

### Accumulation de dépôts :

1. Dépressuriser le pistolet pulvérisateur.
2. Retirer le capuchon d'air (38) du pistolet pulvérisateur et le laver dans du solvant.
3. Réinstaller le capuchon d'air (38).

### Embout rotatif obstrué :

1. Pointer le pistolet pulvérisateur vers le filtre et en l'éloignant de votre corps.
2. Tourner l'embout rotatif de 180 degrés pour le déboucher.

## REPLACEMENT DE LA CARTOUCHE DE PRODUIT ET DU POINTEAU DE PRODUIT

**Symptômes nécessitant un entretien/une réparation :**

- Fuite de liquide par le port de drainage

1. Tourner le capuchon arrière (1) dans le sens antihoraire et retirer le ressort de rappel du piston du logement du piston (26) et le ressort de rappel de pointeau (4).
2. Avec deux clés de 5/16 po (non fournies avec le pistolet), desserrer le contre-écrou de la douille de serrage (10) de la douille (11).
3. À l'aide d'une paire de pinces, saisir la douille de serrage (11) et retirer le piston (16).
4. Placer la douille profonde de 3/8 po (fournie avec le pistolet) sur la cartouche (18) et tourner dans le sens antihoraire.
5. Remplacer le pointeau à produit (17) ou la cartouche de produit (18) et remonter en sens inverse de la dépose en utilisant des nouveaux composants si nécessaire.

## REMARQUE

Le piston (16) doit être positionné au plus bas dans son logement (26) en veillant à ce que la douille de serrage (11) et le contre-écrou (10) soient placés de telle sorte que l'agrafe en E (13) repose contre le piston.

## REMARQUE

Si le piston est mal positionné, la synchronisation liquide-air fonctionnera mal. Voir illustration à la page 8

6. Une fois que le piston a été correctement positionné, serrer à la clé le contre-écrou (10) sur la douille de serrage (11) à la clé.

## REPLACEMENT DES JOINTS TORIQUES SUR LE PISTON

**Symptômes nécessitant un entretien/une réparation :**

- L'air d'atomisation ne circule pas
- L'air n'active pas le produit

1. Tourner le bouchon de protection (1) dans le sens antihoraire et retirer le ressort de rappel du piston du logement du piston (26) et le ressort de rappel de pointeau (4).
2. Avec deux clés de 5/16 po (non fournies avec le pistolet), desserrer le contre-écrou de la douille de serrage (10) de la douille (11).
3. À l'aide d'une paire de pinces, saisir la douille de serrage (11) et retirer le piston (16).
4. Remplacer les joints toriques (8, 9, 14 et 15) en utilisant la trousse de réparations de joints toriques pour piston standard 54-5303 ou la trousse de réparations de joints torique pour piston haute performance 54-5307.
5. Appliquer le lubrifiant à base de PTFE 41-4458 fourni dans les trousse de réparation de joints toriques et remonter dans l'ordre inverse de la dépose.

## REMARQUE

Le piston (16) doit être positionné au plus bas dans son logement (26) en veillant à ce que la douille de serrage (11) et le contre-écrou (10) soient placés de telle sorte que l'agrafe en E (13) repose contre le piston.

## REMARQUE

Si le piston est mal positionné, la synchronisation liquide-air fonctionnera mal. Voir illustration à la page 8

6. Une fois que le piston a été correctement positionné, serrer à la clé le contre-écrou (10) sur la douille de serrage (11) à la clé.

## ENTRETIEN ET RÉPARATIONS/ REPLACEMENT

**Symptômes nécessitant un entretien/une réparation :**

- Embout de produit obstrué ou restriction dans le débit de produit

1. À l'aide d'une clé de 3/4 po, tourner le porte-filtre (35) dans le sens antihoraire et le déposer.
2. Placer un tournevis standard dans la cavité où le filtre (33) est logé et le déloger en le soulevant avec le tournevis. Retirer le filtre et le nettoyer ou le remplacer, selon les besoins. La plupart du temps, il est possible de déloger le filtre à l'aide du doigt.
3. Remonter dans l'ordre inverse de la dépose.

## REMARQUE

Le joint torique (34) n'a pas besoin d'être remplacé lors de la réparation du filtre. Remplacer le joint torique (34) si une fuite apparaît sur le porte-filtre (35).

(suite en page 8)

## INSTRUCTIONS DE MAINTENANCE/DÉPANNAGE ET RÉPARATIONS (SUITE)

### DÉPOSE/POSE DU MODULE DE PISTOLET À PARTIR DU COLLECTEUR D'ADMISSION UNIQUEMENT

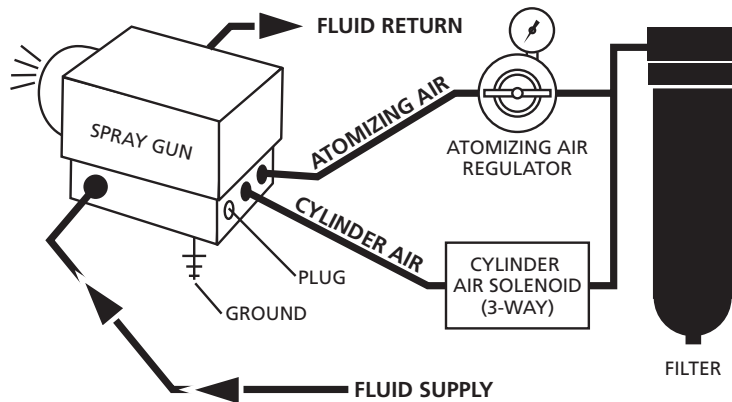
1. À l'aide d'une clé Allen de 9/64 po (fournie avec le pistolet), tourner la vis de fixation du chapeau (23) dans le sens antihoraire habituel aux 4 points et retirer le sous-module du pistolet.
2. Installer le nouveau module du pistolet, bloquer les vis de fixation (23) avec la clé. De cette manière, les passages de liquide et d'air seront étanches, évitant ainsi toute contamination.

### REMARQUE

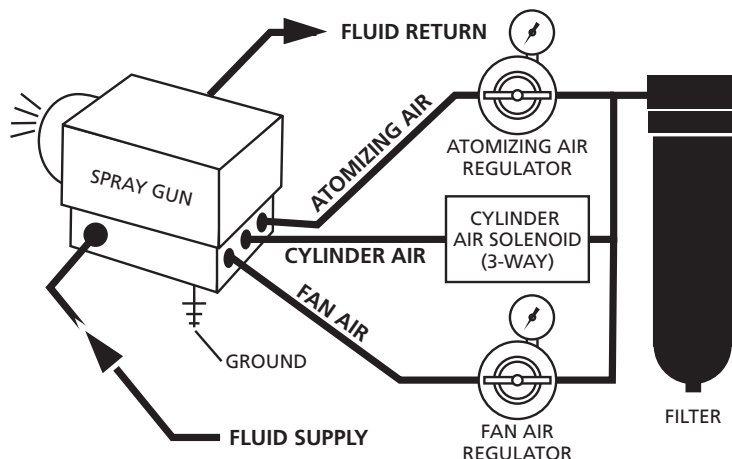
Les joints toriques (25 et 29) doivent être remplacés en même temps que le sous-module du pistolet.

## RACCORDEMENT DES TUYAUX DU PISTOLET HVLP AUTOMATIQUE MAG II

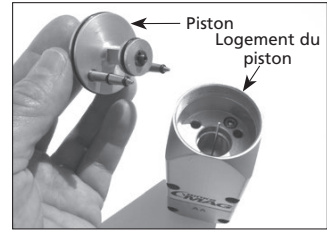
### Raccordement de tuyau avec l'air d'atomisation/du jet COMBINÉ



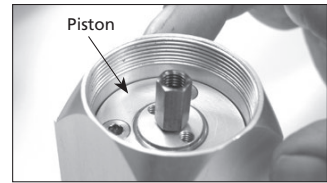
### Raccordement de tuyau avec l'air d'atomisation/du jet SÉPARÉ (POUR APPLICATIONS AVEC EMBOUT PLAT UNIQUEMENT)



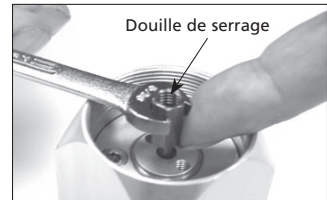
## PISTOLET À PEINTURE À BASSE PRESSION AUTOMATIQUE MAG II POSITIONNEMENT DU PISTON



Installer le piston dans le logement du piston. Vérifier que tous les joints toriques sont correctement lubrifiés avec le lubrifiant à base de PTFE 41-4458 fourni avec les trousse de réparation de joints toriques.



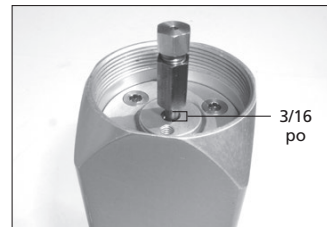
Le piston doit être positionné au plus bas dans le logement (à environ 5/8 po de la partie supérieure du logement).



Relever la douille de serrage jusqu'à la butée, en position verticale, et insérer une clé de 5/16 po sur la douille.



Introduire et serrer le contre-écrou pour douille de serrage à l'aide d'une seconde clé de 5/16 po et bien serrer.

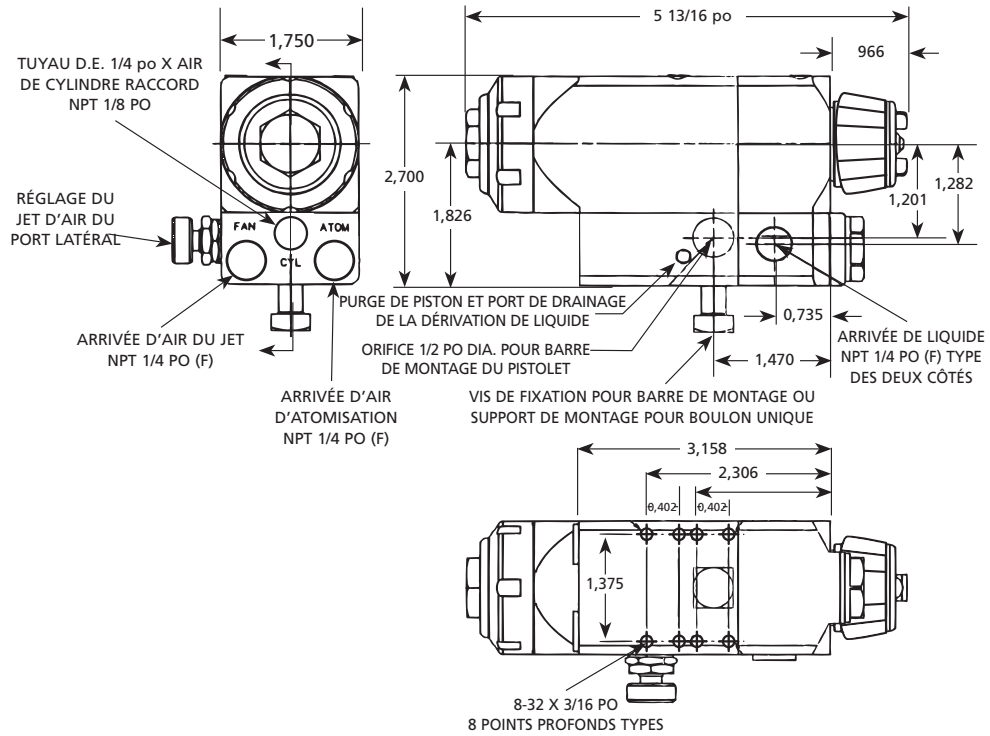


La partie inférieure de la douille de serrage doit se trouver à 3/16 po de la partie supérieure du piston.

### REMARQUE

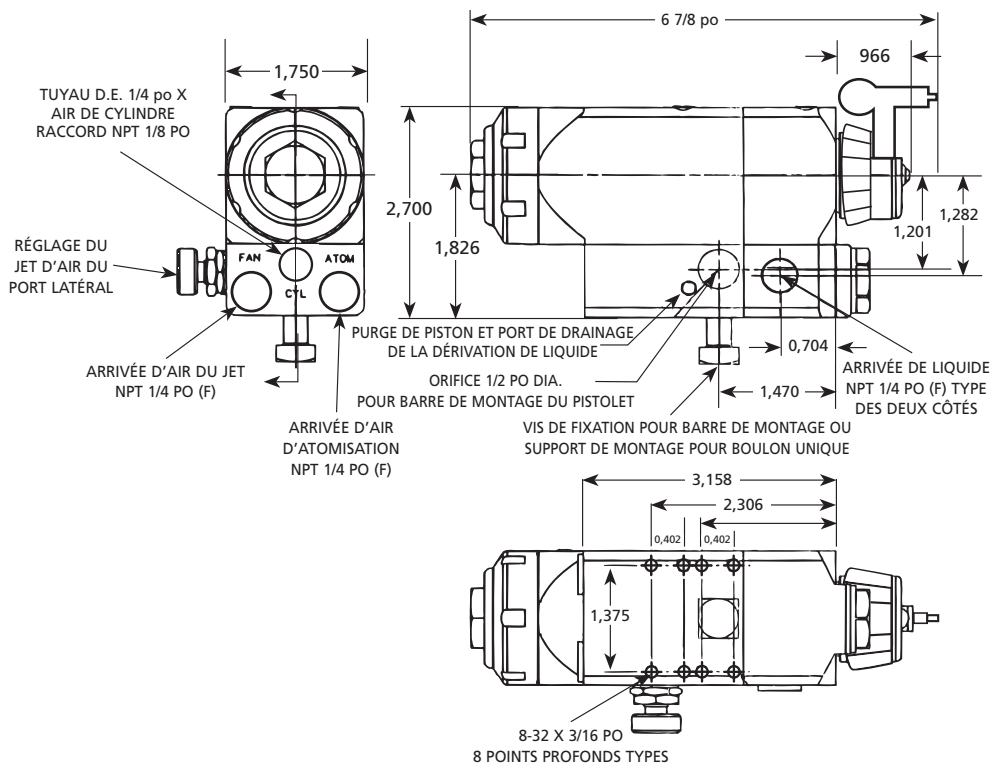
Si le pistolet est mal réglé, le pistolet laissera passer de l'air

**SPÉCIFICATIONS DE MONTAGE DU PISTOLET HVLP AUTOMATIQUE MAG II  
(EMBOUIT PLAT)**



**SPÉCIFICATIONS DE MONTAGE DE LA PLAQUE**

**SPÉCIFICATIONS DE MONTAGE DU PISTOLET HVLP AUTOMATIQUE MAG II  
(AVEC EMBOUIT ROTATIF)**



**SPÉCIFICATIONS DE MONTAGE DE LA PLAQUE**



## PISTOLET PULVÉRISATEUR HVLP AUTOMATIQUE MAG II AIR-ASSISTÉ ET MONTÉ SUR COLLECTEUR

### TABLEAUX DE SÉLECTION DES EMBOUTS ROTATIFS

Largeur de l'éventail basée sur 2200 PSI (152 bars) avec peinture au latex à 12 po (30,5 cm) de la surface. Les résultats obtenus peuvent varier en fonction de la viscosité du produit.

N° DE PIÈCE	DESCRIPTION	ORIFICE	CAPACITÉ	
			LARGEUR ÉVENTAIL (PO)	GPM À 2200 PSI (152 BARS)
9-307-75	EMBOUT ROTATIF	0,007	6	0,05
9-309-75	EMBOUT ROTATIF	0,009	6	0,09
9-409-75	EMBOUT ROTATIF	0,009	8	0,09
9-509-75	EMBOUT ROTATIF	0,009	10	0,09
9-211-75	EMBOUT ROTATIF	0,011	4	0,12
9-311-75	EMBOUT ROTATIF	0,011	6	0,12
9-411-75	EMBOUT ROTATIF	0,011	8	0,12
9-511-75	EMBOUT ROTATIF	0,011	10	0,12
9-611-75	EMBOUT ROTATIF	0,011	12	0,12
9-213-75	EMBOUT ROTATIF	0,013	4	0,18
9-313-75	EMBOUT ROTATIF	0,013	6	0,18
9-413-75	EMBOUT ROTATIF	0,013	8	0,18
9-513-75	EMBOUT ROTATIF	0,013	10	0,18
9-613-75	EMBOUT ROTATIF	0,013	12	0,18
9-713-75	EMBOUT ROTATIF	0,013	14	0,18
9-215-75	EMBOUT ROTATIF	0,015	4	0,24
9-315-75	EMBOUT ROTATIF	0,015	6	0,24
9-415-75	EMBOUT ROTATIF	0,015	8	0,24
9-515-75	EMBOUT ROTATIF	0,015	10	0,24
9-615-75	EMBOUT ROTATIF	0,015	12	0,24
9-715-75	EMBOUT ROTATIF	0,015	14	0,24
9-317-75	EMBOUT ROTATIF	0,017	6	0,31
9-417-75	EMBOUT ROTATIF	0,017	8	0,31
9-517-75	EMBOUT ROTATIF	0,017	10	0,31
9-617-75	EMBOUT ROTATIF	0,017	12	0,31
9-717-75	EMBOUT ROTATIF	0,017	14	0,31
9-419-75	EMBOUT ROTATIF	0,019	8	0,38
9-519-75	EMBOUT ROTATIF	0,019	10	0,38
9-619-75	EMBOUT ROTATIF	0,019	12	0,38
9-521-75	EMBOUT ROTATIF	0,021	10	0,47
9-621-75	EMBOUT ROTATIF	0,021	12	0,47
9-523-75	EMBOUT ROTATIF	0,023	10	0,57
9-623-75	EMBOUT ROTATIF	0,023	12	0,57
9-525-75	EMBOUT ROTATIF	0,025	10	0,67
9-625-75	EMBOUT ROTATIF	0,025	12	0,67
9-627-75	EMBOUT ROTATIF	0,027	12	0,74
9-435-75	EMBOUT ROTATIF	0,035	8	1,31
9-631-75	EMBOUT ROTATIF	0,031	12	1,03
9-635-75	EMBOUT ROTATIF	0,035	12	1,31

### TABLEAUX DE SÉLECTION DES EMBOUTS PLATS POUR FINIS FINIS

Largeur de l'éventail basée sur 1000 PSI (69 bars) avec eau à 12 po (30,5 cm) de la surface. Les résultats obtenus peuvent varier en fonction de la viscosité du produit.

N° DE PIÈCE	DESCRIPTION	ORIFICE	CAPACITÉ	
			LARGEUR ÉVENTAIL (PO)	GPM À 500 PSI (34,5 BARS) EAU
9-0909-F	EMBOUT FINI FIN	0,009	9	0,039
9-0911-F	EMBOUT FINI FIN	0,009	11	0,039
9-1109-F	EMBOUT FINI FIN	0,011	9	0,06
9-1111-F	EMBOUT FINI FIN	0,011	11	0,06
9-1113-F	EMBOUT FINI FIN	0,011	13	0,06
9-1115-F	EMBOUT FINI FIN	0,011	15	0,06
9-1309-F	EMBOUT FINI FIN	0,013	9	0,09
9-1311-F	EMBOUT FINI FIN	0,013	11	0,09
9-1313-F	EMBOUT FINI FIN	0,013	13	0,09
9-1315-F	EMBOUT FINI FIN	0,013	15	0,09
9-1509-F	EMBOUT FINI FIN	0,015	9	0,12
9-1511-F	EMBOUT FINI FIN	0,015	11	0,12
9-1513-F	EMBOUT FINI FIN	0,015	13	0,12
9-1515-F	EMBOUT FINI FIN	0,015	15	0,12
9-1517-F	EMBOUT FINI FIN	0,015	17	0,12
9-1709-F	EMBOUT FINI FIN	0,017	9	0,16
9-1711-F	EMBOUT FINI FIN	0,017	11	0,16
9-1713-F	EMBOUT FINI FIN	0,017	13	0,16
9-1715-F	EMBOUT FINI FIN	0,017	15	0,16
9-1717-F	EMBOUT FINI FIN	0,017	17	0,16

### TABLEAUX DE SÉLECTION DES EMBOUTS PLATS STANDARD

Largeur de l'éventail basée sur 1000 PSI (69 bars) avec eau à 12 po (30,5 cm) de la surface. Les résultats obtenus peuvent varier en fonction de la viscosité du produit.

N° DE PIÈCE	DESCRIPTION	ORIFICE	CAPACITÉ	
			LARGEUR ÉVENTAIL À 500 PSI (34,5 BARS) (PO)	GPM EAU
114-00702	ENSEMBLE D'EMBOUT	0,007	2	0,028
114-00704	ENSEMBLE D'EMBOUT	0,007	4	0,028
114-00706	ENSEMBLE D'EMBOUT	0,007	6	0,028
114-00708	ENSEMBLE D'EMBOUT	0,007	8	0,028
114-00902	ENSEMBLE D'EMBOUT	0,009	2	0,039
114-00906	ENSEMBLE D'EMBOUT	0,009	6	0,039
114-00908	ENSEMBLE D'EMBOUT	0,009	8	0,039
114-00910	ENSEMBLE D'EMBOUT	0,009	10	0,039
114-00912	ENSEMBLE D'EMBOUT	0,009	12	0,039
114-01104	ENSEMBLE D'EMBOUT	0,011	4	0,060
114-01106	ENSEMBLE D'EMBOUT	0,011	6	0,060
114-01108	ENSEMBLE D'EMBOUT	0,011	8	0,060
114-01110	ENSEMBLE D'EMBOUT	0,011	10	0,060
114-01112	ENSEMBLE D'EMBOUT	0,011	12	0,060
114-01114	ENSEMBLE D'EMBOUT	0,011	14	0,060
114-01304	ENSEMBLE D'EMBOUT	0,013	4	0,090
114-01306	ENSEMBLE D'EMBOUT	0,013	6	0,090
114-01308	ENSEMBLE D'EMBOUT	0,013	8	0,090
114-01310	ENSEMBLE D'EMBOUT	0,013	10	0,090
114-01312	ENSEMBLE D'EMBOUT	0,013	12	0,090
114-01314	ENSEMBLE D'EMBOUT	0,013	14	0,090
114-01316	ENSEMBLE D'EMBOUT	0,013	16	0,090
114-01506	ENSEMBLE D'EMBOUT	0,015	6	0,120
114-01508	ENSEMBLE D'EMBOUT	0,015	8	0,120
114-01510	ENSEMBLE D'EMBOUT	0,015	10	0,120
114-01512	ENSEMBLE D'EMBOUT	0,015	12	0,120
114-01514	ENSEMBLE D'EMBOUT	0,015	14	0,120
114-01516	ENSEMBLE D'EMBOUT	0,015	16	0,120
114-01518	ENSEMBLE D'EMBOUT	0,015	18	0,120
114-01706	ENSEMBLE D'EMBOUT	0,017	6	0,160
114-01708	ENSEMBLE D'EMBOUT	0,017	8	0,160
114-01710	ENSEMBLE D'EMBOUT	0,017	10	0,160
114-01712	ENSEMBLE D'EMBOUT	0,017	12	0,160
114-01714	ENSEMBLE D'EMBOUT	0,017	14	0,160
114-01716	ENSEMBLE D'EMBOUT	0,017	16	0,160
114-01718	ENSEMBLE D'EMBOUT	0,017	18	0,160
114-01906	ENSEMBLE D'EMBOUT	0,019	6	0,190
114-01908	ENSEMBLE D'EMBOUT	0,019	8	0,190
114-01910	ENSEMBLE D'EMBOUT	0,019	10	0,190
114-01912	ENSEMBLE D'EMBOUT	0,019	12	0,190
114-01914	ENSEMBLE D'EMBOUT	0,019	14	0,190
114-01916	ENSEMBLE D'EMBOUT	0,019	16	0,190
114-01918	ENSEMBLE D'EMBOUT	0,019	18	0,190
114-02110	ENSEMBLE D'EMBOUT	0,021	10	0,240
114-02112	ENSEMBLE D'EMBOUT	0,021	12	0,240
114-02114	ENSEMBLE D'EMBOUT	0,021	14	0,240
114-02116	ENSEMBLE D'EMBOUT	0,021	16	0,240
114-02118	ENSEMBLE D'EMBOUT	0,021	18	0,240
114-02410	ENSEMBLE D'EMBOUT	0,024	10	0,310
114-02412	ENSEMBLE D'EMBOUT	0,024	12	0,310
114-02414	ENSEMBLE D'EMBOUT	0,024	14	0,310
114-02416	ENSEMBLE D'EMBOUT	0,024	16	0,310
114-02418	ENSEMBLE D'EMBOUT	0,024	18	0,310
114-02710	ENSEMBLE D'EMBOUT	0,027	10	0,385
114-02712	ENSEMBLE D'EMBOUT	0,027	12	0,385
114-02714	ENSEMBLE D'EMBOUT	0,027	14	0,385
114-02716	ENSEMBLE D'EMBOUT	0,027	16	0,385
114-02718	ENSEMBLE D'EMBOUT	0,027	18	0,385

## REMARQUE SUR LES EMBOUTS ROTATIFS

Pour remplacer un embout plat par un embout rotatif, augmenter la taille du jet de 2 pouces (5 cm) et utiliser la fonction de réglage de l'air pour redescendre à la taille désirée.



---

## **GARANTIE**

Ce produit est couvert par la garantie limitée d'un an de Binks.

---

**Ventes et services Binks : [www.binks.com](http://www.binks.com)**

---

***BINKS***

Service à la clientèle États-Unis/Canada  
195 Internationale Blvd.  
Glendale Heights, IL 60139, États-Unis  
630-237-5000

Numéro d'appel sans frais du Service à  
la clientèle et de l'Assistance technique  
800-992-4657

Numéro de télécopieur -  
appel sans frais  
888-246-5732